



Brass lugs

BET lugs can be used on any type of conductors (stranded or solid, aluminium or copper). They are especially suitable for the copper neutral or CNE conductors of low voltage service and mains cables. They can also be used on the earth conductors and copper screen wires.

Unlike fittings made from pressed or forged tube, the blocked barrel of these fittings prevents water passing through the palm to the barrel.

Available sizes

- Up to 35mm²
- Up to 60mm²
- From 50 to 120mm²

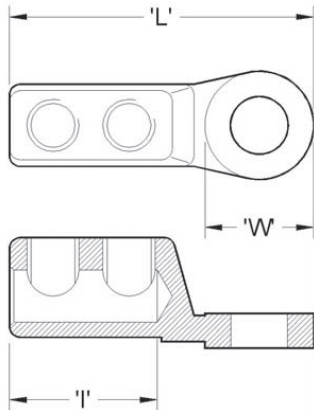
Features

- Low torque, direct acting bolts
- Suitable for copper and aluminium conductors

Standard

- Designed to meet BS4579 and ER C79

DATA SHEET	Date: 01/12/2012
Number: EPP-1728	Revision: B



Reference	PN	TCPN	Dimensions (mm)			Mount bolt size	Maximum conductor size (mm ²)	Installation tool
			L	I	W			
BET035-08	BAH-024020001	814774-000	55	25	20	M8	35	3mm allen
BET035-10	BAH-024020004	583124-000	55	25	20	M10	35	3mm allen
BET035-12	BAH-024020006	653944-000	55	25	20	M12	35	3mm allen
BET060-10	BAH-024020008	324440-000	70	34	25	M10	60	13mm socket
BET060-12	BAH-024020011	738386-000	70	34	25	M12	60	13mm socket
BET060-16	BAH-024020012	524262-000	70	34	25	M16	60	13mm socket
BET120-10	BAH-024020017	744448-000	86	46	28	M10	120	16mm socket
BET120-12	BAH-024020018	944892-000	86	46	28	M12	120	16mm socket
BET120-16	BAH-024020021	265820-000	86	46	28	M16	120	16mm socket

While TE Connectivity (TE) has made every reasonable effort to ensure the accuracy of the information in this catalog, TE does not guarantee that it is error-free, nor does TE make any other representation, warranty or guarantee that the information is accurate, correct, reliable or current. TE reserves the right to make any adjustments to the information contained herein at any time without notice. TE expressly disclaims all implied warranties regarding the information contained herein, including, but not limited to, any implied warranties of merchantability or fitness for a particular purpose. The dimensions in this catalog are for reference purposes only and are subject to change without notice. Specifications are subject to change without notice. Consult TE for the latest dimensions and design specifications. TE Connectivity and TE connectivity (logo) are trademarks.
© 2012 Tyco Electronics UK Ltd

TE Energy - innovative and economical solutions for the electrical power industry: cable accessories, connectors & fittings, insulators & insulation, surge arresters, switching equipment, street lighting, power measurement and control.

Tyco Electronics UK Ltd
a TE Connectivity company
Freebournes Road
Witham, Essex CM8 3AH

Phone: +44 (0)870 870 7500
Fax: +44 (0)870 240 5289
Email: ukutilities@tycoelectronics.com

energy.te.com

Date: 01/12/2012
 Revision: B
 DATA SHEET
 Number: EPP-1728



WOKING
Unit 19, Woking Business Park
Albert Drive, Woking GU21 5JY
Tel: 01483 747747 • Fax: 01483 747001

BRISTOL
The Alpha Centre, Armstrong Way,
Great Western Business Park, Yate, Bristol BS37 5NG
Tel: 01454 322555 • Fax: 01454 323555

NORTON CANES
Unit 15-16, Bellsizes Close, Norton Canes,
Staffordshire WS11 9TQ
Tel: 01543 450555 • Fax: 01543 450600