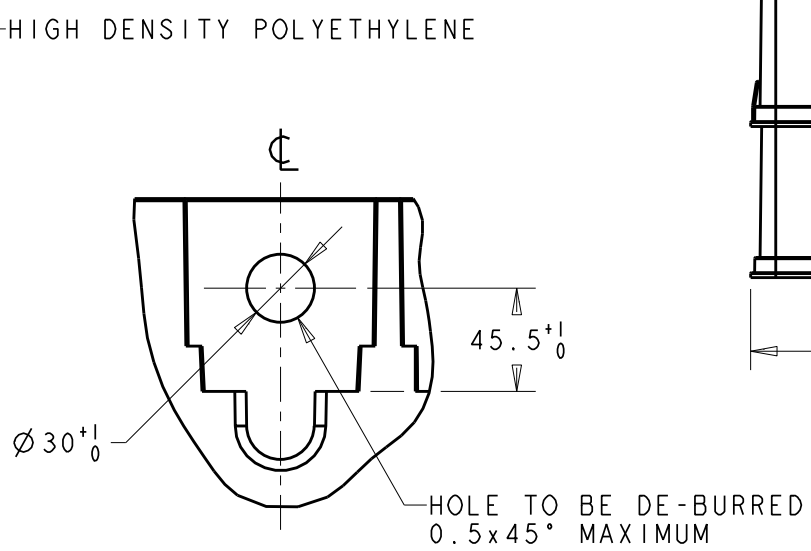
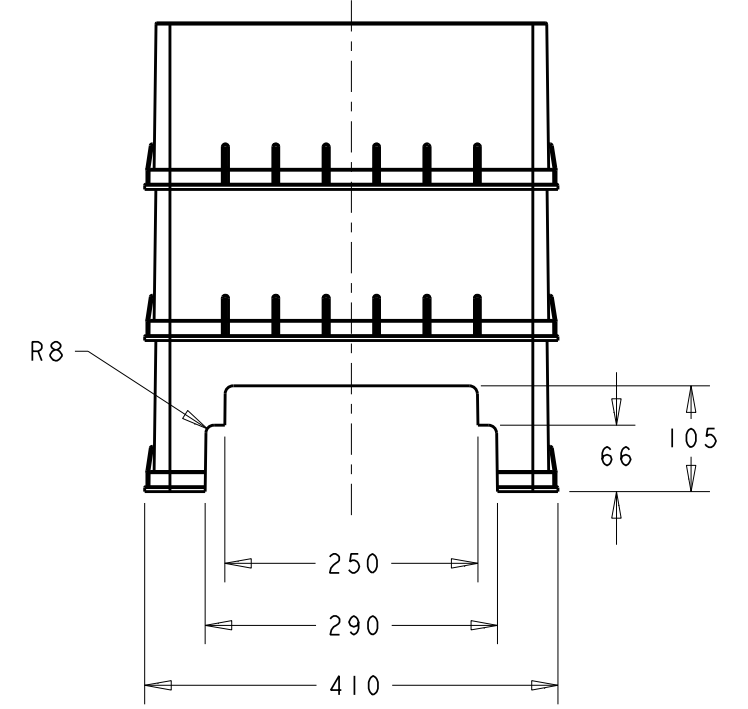
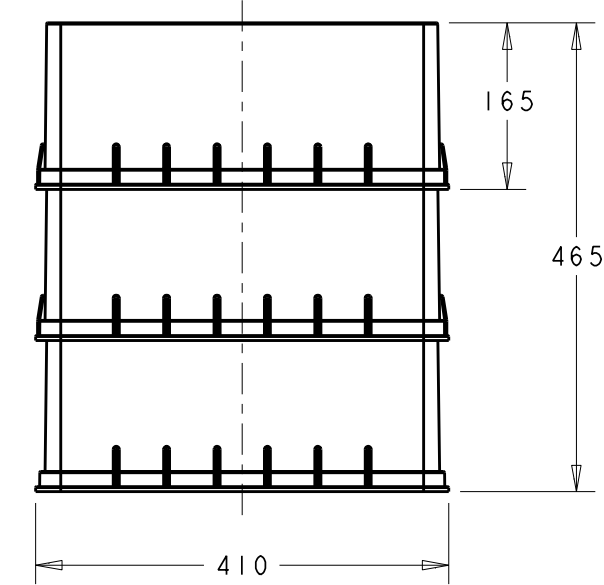
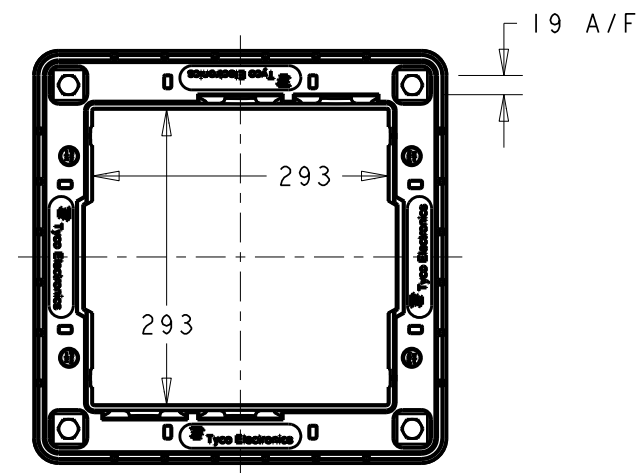
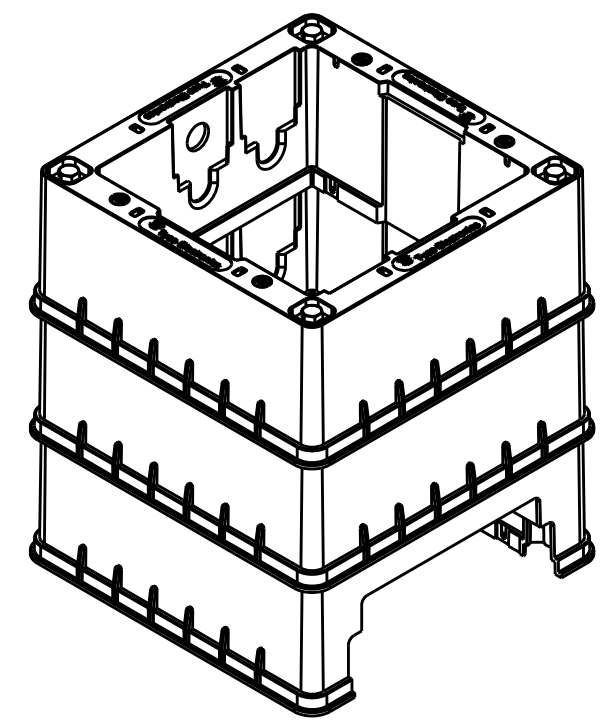
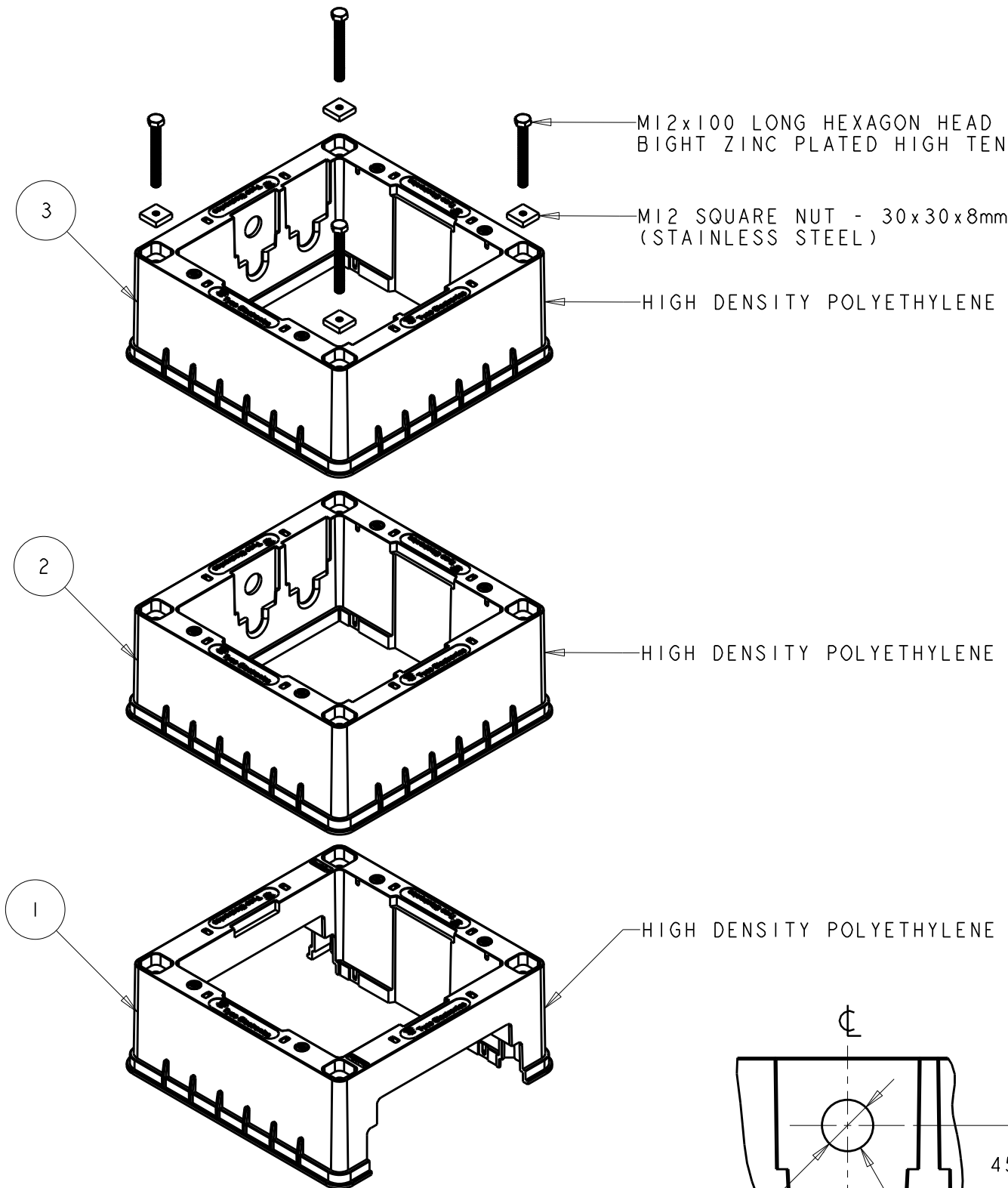


ITEM	PART/DRG NO	QTY	DESCRIPTION
1	UR3030B	1	HDPE UTILITY RING-BASE 302x302x150mm WITH PRECUT ENTRY
2	UR3030M	1	HDPE UTILITY RING-MIDDLE 302x302x150mm
3	UR3030T	1	HDPE UTILITY RING-TOP 302x302x150mm WITH 4x ADJUSTABLE BOLTS



LOCKING BAR HOLE DETAIL

NOTES :
1. MOULDING COLOUR : BLACK

Revision	Description	Name/DMR	Date
D	HOLE WAS $\varnothing 26$ & HOLE POSITION 45.5 TOLERANCE ADDED	BH-00774	31/01/12
C	PICTORIAL CHANGES ONLY - MODIFICATIONS TO MAKE COMPATIBLE WITH MK3 LINKBOX	BH-00725	05/08/11
B	MOULDING COLOUR WAS BLUE (PANTONE 3015)	BH-00570	06/05/09
A	FIRST ISSUE	BH-00292	25/07/07

BREAK SHARP EDGES & DEBURR, SURFACES TO BE FREE FROM SCRATCHES & DEFECTS. MACHINED SURFACES TO BE 3.2 μ m Ra OR BETTER (UOS). ALL OIL & GREASE etc TO BE REMOVED. ALL THREADS TO BS3643 PART 2.

MACHINED SURFACES UNLESS OTHERWISE SPECIFIED TO BE:

0.10mm	0.05mm/cm
0.015mm/cm	0.015mm/cm



Material	VARIES
Finish	VARIES
Tolerances (UOS)	N/A
B&H Short Desc.	LB2-2WLBES

- IF IN DOUBT ASK - DO NOT SCALE -

Part Description
2-WAY LINK BOX ENCLOSURE SET - MK2 & MK3 LINKBOX (UR3030TMB)

Design/Drawn	D M EATON	Date	25-Jul-07	Scale (UOS)	2:15		A3
PCN/RPN No	CLO198-000	Checked/Approved by					
Drawing/Part No	BAH-018070433	Drawing Type	MOULDING/PRODUCTION		Rev	D	