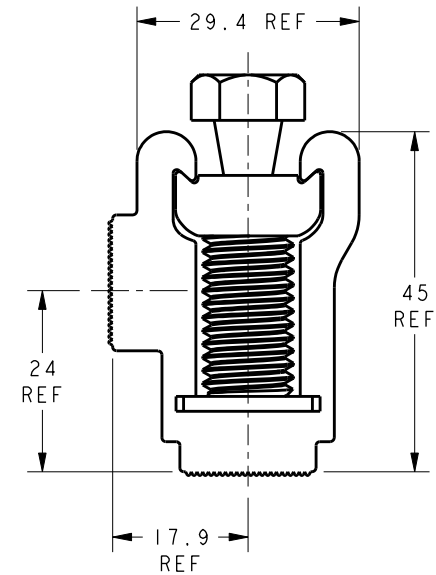
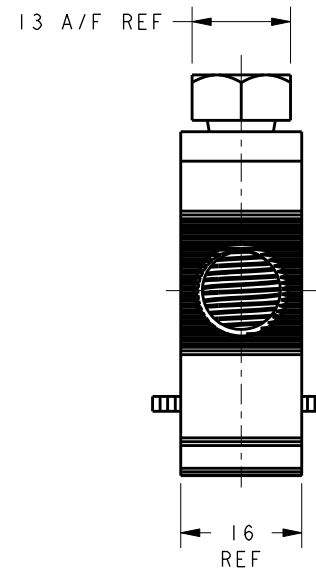
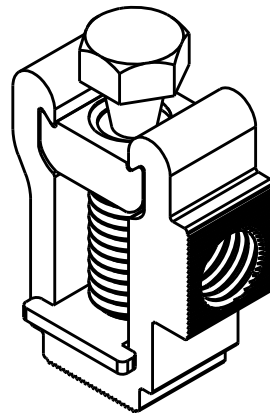
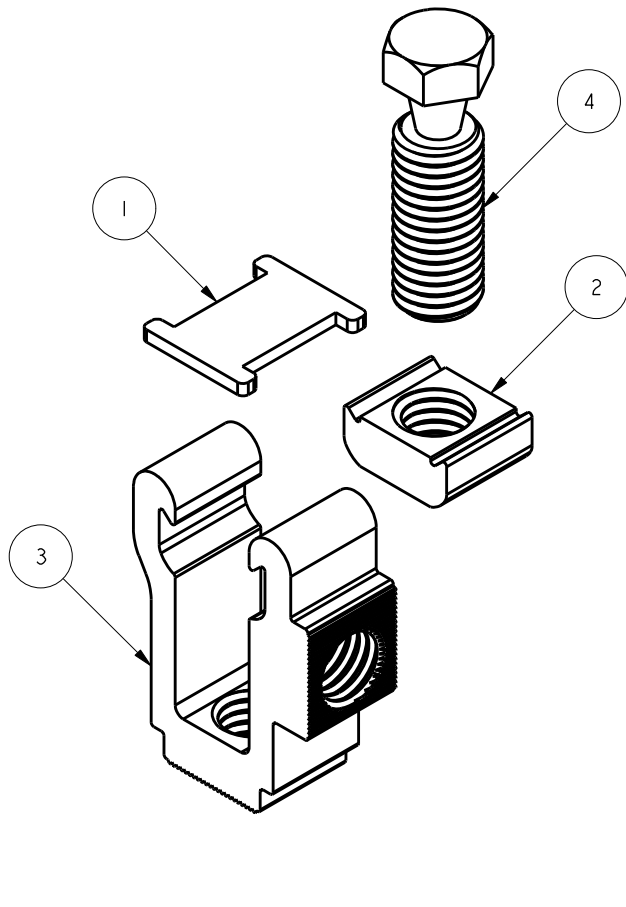


ITEM	PART/DRG NO	QTY	DESCRIPTION
1	01-500-0013	1	BRASS CNE CONNECTORS PRESSURE PLATE
2	01-500-0014	1	BRASS CNE CONNECTOR SHOE
3	01-500-0017	1	BRASS CNE END TERMINATION BODY - TYPE 1 WITH M12 BOTTOM & SIDE HOLES
4	01-700-0038	1	M12x1.75 13 A/F 42.5 LONG BRASS SINGLE-SHEAR BOLT WITH FLAT END



NOTES :

- CONNECTOR IS TO BE SUPPLIED ASSEMBLED AS SHOWN. SHEAR BOLT IS TO BE SCREWED THROUGH SHOE UNTIL PRESSURE PLATE IS PUSHED AGAINST CONNECTOR BODY (HAND TIGHT ONLY) ALLOWING SHEAR BOLT, SHOE AND PRESSURE PLATE TO BE FIXED IN POSITION WITHIN CONNECTOR BODY.
- APPROX PART WEIGHT = 123.15g

D	PICTORIAL CHANGES TO BAH-015000017 - SERRATIONS ADDED	BH-00873	08/04/13
C	BAH-015000084 (x1) & BAH-025000093 (x1) REMOVED AND REPLACED WITH BAH-015000013 (x1), BAH-015000014 (x1), BAH-015000017 (x1) & BAH-017000038 (x1)	BH-00842	06/12/12
B	BAH-015000013 (x1), BAH-015000014 (x1), BAH-015000017 (x1) & BAH-017000038 (x1) REMOVED AND REPLACED WITH BAH-015000084 (x1) & BAH-025000093 (x1)	BH-00746	20/04/12
A	FIRST ISSUE	BH-00043	06/04/05
Revision	Description	Name/DMR	Date
Design/Drawn	D M EATON	Date	06-Apr-05
		Scale (UOS)	1:1
PCN/RPN No	A84233-000	Checked/Approved by	
Drawing/Part No	BAH-025000069	Drawing Type	ASSEMBLY/CUSTOMER
		Rev	D



Material	VARIES
Finish	VARIES
Tolerances (UOS)	N/A
B&H Short Desc.	BTCNE1S/BSM12/A

- IF IN DOUBT ASK - DO NOT SCALE -

BRASS CNE END TERMINATION - TYPE 1 WITH M12 BOTTOM & SIDE HOLES & SINGLE-SHEAR BOLT (ASSEMBLED)

REMOVE ALL BURRS AND SHARP EDGES - SURFACES TO BE FREE FROM SCRATCHES AND DEFECTS - ALL THREADS TO BS3643 PT 2

© 2013 TYCO ELECTRONICS UK LTD, WITHAM, UK