



Universal straight joint connectors

UST connectors are designed for connecting low voltage aluminium and copper conductors.

This includes stranded or solid 120° and 90° sectoral or round conductors up to the maximum cross-section for which the connector is designed.

UST95 range requires a 13mm socket or spanner and UST185, UST300 & UST400 ranges require a 19mm socket or spanner to complete the installation.

Part No: USTxxx

-xxx: Max. conductor size suitable for the connector (either 95, 185, 300 or 400mm²)

Brass gauze can be used to wrap copper conductors, and is recommended for small or loosely compacted conductors.

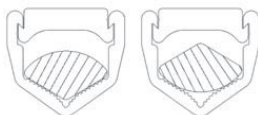
Features

- Can be used as a transition connector between cables with different conductor constructions, types, materials and sizes (e.g. solid sectoral to circular stranded)
- The standard product is supplied with shear head bolts
- Low torque, direct acting bolts

Standard

- Tested to BS4579 and ER C79

For jointing sectoral conductors with 'V' facing up or down



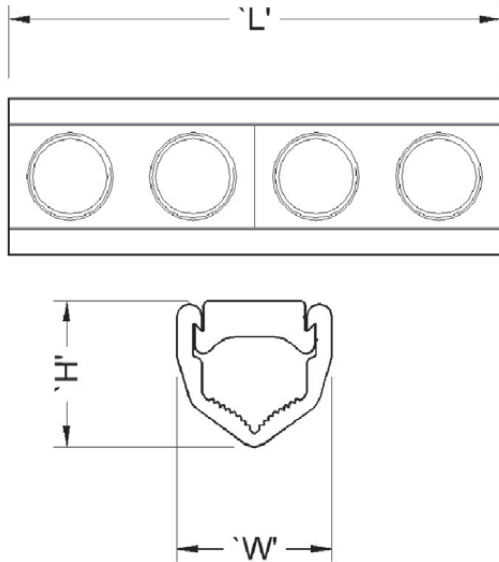
DATA SHEET Number: EPP-1731	Date: 01/12/2012 Revision: B
--------------------------------	---------------------------------



WOKING
Unit 19, Woking Business Park
Albert Drive, Woking GU21 5JY
Tel: 01483 747747 • Fax: 01483 747001

BRISTOL
The Alpha Centre, Armstrong Way,
Great Western Business Park, Yate, Bristol BS37 5NG
Tel: 01454 322555 • Fax: 01454 323555

NORTON CANES
Unit 15-16, Bellsizes Close, Norton Canes,
Staffordshire WS11 9TQ
Tel: 01543 450555 • Fax: 01543 450600



Reference	PN	TCPN	Dimensions (mm)			Conductor size (mm ²)	Socket/spanner A/F (mm)
			L	H	W		
UST095	BAH-022020001	249986-000	80	25	25	35-95	13
UST185	BAH-022020014	308710-000	108	32	34	35-185	19
UST300	BAH-022020029	599376-000	108	36	40	70-300	19
UST400	BAH-022020046	543248-000	108	47	41	185-400	19

While TE Connectivity (TE) has made every reasonable effort to ensure the accuracy of the information in this catalog, TE does not guarantee that it is error-free, nor does TE make any other representation, warranty or guarantee that the information is accurate, correct, reliable or current. TE reserves the right to make any adjustments to the information contained herein at any time without notice. TE expressly disclaims all implied warranties regarding the information contained herein, including, but not limited to, any implied warranties of merchantability or fitness for a particular purpose. The dimensions in this catalog are for reference purposes only and are subject to change without notice. Specifications are subject to change without notice. Consult TE for the latest dimensions and design specifications. TE Connectivity and TE connectivity (logo) are trademarks.
© 2012 Tyco Electronics UK Ltd

TE Energy - innovative and economical solutions for the electrical power industry: cable accessories, connectors & fittings, insulators & insulation, surge arresters, switching equipment, street lighting, power measurement and control.

Tyco Electronics UK Ltd
a TE Connectivity company
Freebournes Road
Witham, Essex CM8 3AH

Phone: +44 (0)870 870 7500
Fax: +44 (0)870 240 5289
Email: ukutilities@tycoelectronics.com

energy.te.com

DATA SHEET
Number: EPP-1731
Date: 01/12/2012
Revision: B



WOKING
Unit 19, Woking Business Park
Albert Drive, Woking GU21 5JY
Tel: 01483 747747 • Fax: 01483 747001

BRISTOL
The Alpha Centre, Armstrong Way,
Great Western Business Park, Yate, Bristol BS37 5NG
Tel: 01454 322555 • Fax: 01454 323555

NORTON CANES
Unit 15-16, Bellsizes Close, Norton Canes,
Staffordshire WS11 9TQ
Tel: 01543 450555 • Fax: 01543 450600