

Universal branch joint connectors

UBR connectors are designed for connecting low voltage aluminium and copper conductors.

This includes stranded or solid, 120° and 90° sectoral or round conductors, up to the maximum cross-section. UBR95 requires a 13mm socket or spanner and UBR185 & UBR300 require a 19mm socket or spanner to complete the installation.

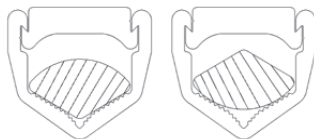
Bridge pieces for one or two service take-offs are available for these connectors.

Part No: UBRxxx

-xxx : Max. conductor size suitable for the connector (either 95, 185 or 300mm²).

Brass gauze can be used to wrap copper conductors, and is recommended for small or loosely compacted conductors.

For jointing sectorial conductors with 'V' facing up or down



DATA SHEET Number: EPP-1732	Date: 01/12/2012 Revision: B
--------------------------------	---------------------------------

Features

- Can be used as a transition connector between cables with different conductor constructions, types, materials and sizes (e.g. solid sectoral to circular stranded)
- The standard product is supplied with shear head bolts
- Low torque, direct acting bolts

Standard

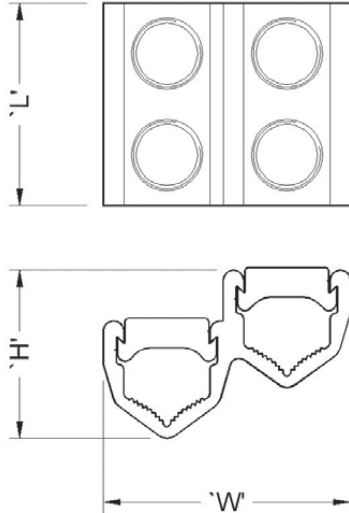
- Tested to IEC 61238-1(2003) and ER C79



WOKING
Unit 19, Woking Business Park
Albert Drive, Woking GU21 5JY
Tel: 01483 747747 • Fax: 01483 747001

BRISTOL
The Alpha Centre, Armstrong Way,
Great Western Business Park, Yate, Bristol BS37 5NG
Tel: 01454 322555 • Fax: 01454 323555

NORTON CANES
Unit 15-16, Bellsizes Close, Norton Canes,
Staffordshire WS11 9TQ
Tel: 01543 450555 • Fax: 01543 450600



Reference	PN	TCPN	Dimensions (mm)			Conductor size (mm ²)	Socket/ spanner A/F (mm)
			L	H	W		
UBR095	BAH-023000001	733472-000	40	36	49	35-95	13
UBR185	BAH-023000011	033548-000	54	45	66	35-185	19
UBR300	BAH-023000024	416318-000	54	52	77	70-300	19

While TE Connectivity (TE) has made every reasonable effort to ensure the accuracy of the information in this catalog, TE does not guarantee that it is error-free, nor does TE make any other representation, warranty or guarantee that the information is accurate, correct, reliable or current. TE reserves the right to make any adjustments to the information contained herein at any time without notice. TE expressly disclaims all implied warranties regarding the information contained herein, including, but not limited to, any implied warranties of merchantability or fitness for a particular purpose. The dimensions in this catalog are for reference purposes only and are subject to change without notice. Specifications are subject to change without notice. Consult TE for the latest dimensions and design specifications. TE Connectivity and TE connectivity (logo) are trademarks.

© 2012 Tyco Electronics UK Ltd

TE Energy - innovative and economical solutions for the electrical power industry: cable accessories, connectors & fittings, insulators & insulation, surge arresters, switching equipment, street lighting, power measurement and control.

Tyco Electronics UK Ltd
 a TE Connectivity company
 Freebournes Road
 Witham, Essex CM8 3AH

Phone: +44 (0)870 870 7500
 Fax: +44 (0)870 240 5289
 Email: ukutilities@tycoelectronics.com

energy.te.com

DATA SHEET
 Number: EPP-1732
 Date: 01/12/2012
 Revision: B



WOKING
 Unit 19, Woking Business Park
 Albert Drive, Woking GU21 5JY
 Tel: 01483 747747 • Fax: 01483 747001

BRISTOL
 The Alpha Centre, Armstrong Way,
 Great Western Business Park, Yate, Bristol BS37 5NG
 Tel: 01454 322555 • Fax: 01454 323555

NORTON CANES
 Unit 15-16, Bellsizes Close, Norton Canes,
 Staffordshire WS11 9TQ
 Tel: 01543 450555 • Fax: 01543 450600