



## MECHANICAL CONNECTORS AND REPAIR SLEEVES (BSM)

FOR LOW AND MEDIUM VOLTAGE APPLICATION UP TO 42 kV

### KEY FEATURES

- Wide application range
- Compact design
- Can be used with almost every type of conductor and material
- Torque-controlled shear-head bolts guarantee a good electrical contact
- Easy installation with standard socket spanner
- Pre-engineered design for perfect fit in medium voltage cable accessories up to 42 kV
- Tested according to IEC 61238-1 class A

TE Connectivity's (TE) mechanical connectors and repair sleeves are designed for use in low and medium voltage applications. Only three sizes cover conductor sizes from 25 mm<sup>2</sup> to 400 mm<sup>2</sup>. All products consist of a tin-plated body, shear-head bolts and inserts for small conductor sizes.

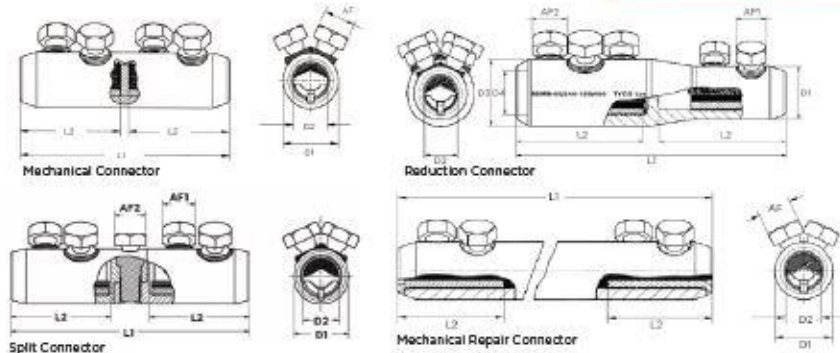
Made of special aluminium alloy, these contact bolts are double shear-head bolts with hexagon heads. The bolts are treated with a highly lubricating agent. Contact bolts are irremovable once their heads have been sheared off. The Lug body is made of a high-tensile, tin-plated aluminium alloy. The internal surface of the conductor holes are grooved.

Connectors are chamfered at the edges and available with or without oil barrier (as blocked and unblocked types) depending on the application requirements. The bolted fitting featured herein was developed specifically for use in medium voltage cable accessories up to 42 kV. They may also be used in the 1 kV range.

Before using mechanical connectors in cable accessories, confirm that they are suitable for the given application and if necessary consult the manufacturer.

Customers can count on consistent, high quality products, driven by TE's proven innovation and backed by our extraordinary customer support.

## Mechanical Connectors and Repair Sleeves BSM



PRODUCT SELECTION INFORMATION													
Description	Cross Sectional Range (mm <sup>2</sup> )		Blocked	Dimensions (mm)						Contact Bolts Quantity		Head Size AF (mm)	
				L1	L2	D1	D2	D3	D4				
<b>Mechanical Connectors</b>													
BSMB-10/35	10 - 35		yes	45	20	19	8,5	-	-	2			10
BSM-25/95	25 - 95		yes	65	30	24	12,8	-	-	2			13
BSM-25/95-U	25 - 95		no	65	-	24	12,8	-	-	2			13
BSMB-35/150	35 - 150		yes	80	35	28	15,8	-	-	2			17
BSMU-35/150	35 - 150		no	80	-	28	15,8	-	-	2			17
BSM-95/240	95 - 240		yes	125	60	33	20	-	-	4			19
BSM-95/240-U	95 - 240		no	125	-	33	20	-	-	4			19
BSMB-95/240-34	95 - 240		yes	125	60	34	22	-	-	4			19
BSMB-120/300	120 - 300		yes	140	65	37	24	-	-	4			22
BSMU-120/300	120 - 300		no	140	-	37	24	-	-	4			22
BSMB-150/400	150 - 400		yes	170	80	42	25,5	-	-	6			13
BSMU-150/400	150 - 400		no	170	-	42	25,5	-	-	6			13
BSMB-500mk2	500		yes	160	70	46	30	-	-	6			13
BSMB-630mk2	630		yes	160	70	50	33	-	-	6			13
BSMB-800mk2	800		yes	180	85	56	36	-	-	8			13
BSMB-1000	1000		yes	180	85	60	40	-	-	8			13
<b>Reduction Connectors</b>													
	Side 1	Side 2								Side 1	Side 2	Side 1	Side 2
BSMB-25/95-95/240	25 - 95	95 - 240	yes	125	60	24	12,8	33	20	1	2	13	19
BSMB-95/240-185/400	95 - 240	185 - 400	yes	170	80	33	20	42	25,5	2	3	19	22
BSMB-150/400-500	150 - 400	500	yes	170	80	42	25,5	46	30	3	3	13	13
BSMB-150/400-630	150 - 400	630	yes	170	80	42	25,5	50	33	3	3	13	13
BSMB-500-630mk2	500	630	yes	160	70	46	30	50	33	3	3	13	13
BSMB-500-800	500	800	yes	180	85	46	30	56	36	3	4	13	13
BSMB-630-800	630	800	yes	180	85	50	33	56	36	3	4	13	13
BSMB-630-1000	630	1000	yes	180	85	50	33	60	40	3	4	13	13
BSMB-800-1000	800	1000	yes	180	85	56	36	60	40	3	4	13	13
<b>Split Connectors</b>													
										Contact	Central	AF Contact	AF Central
BSMV-120/300	120 - 300		yes	160	65	37	24	-	-	4	1	22	21
BSMV-150/400	185 - 400		yes	190	80	42	25,5	-	-	6	1	13	13
<b>Mechanical Repair Sleeves</b>													
BSM-25/95-U-L440	25 - 95		no	440	30	24	12,8	-	-	2			13
BSM-95/240-U-L440	95 - 240		no	440	60	33	20	-	-	4			19
BSMU-95/240-34-L440	95 - 240		no	440	60	34	22	-	-	4			19
BSMU-120/300-L440	120 - 300		no	440	65	37	24	-	-	4			22
BSMB-150/400-L440	150 - 400		no	440	80	42	25,5	-	-	6			13
BSMU-500-L440	500		no	440	70	46	30	-	-	6			13
BSMB-630-L440	630		yes	440	70	50	33	-	-	6			13

[te.com/energy](http://te.com/energy)

© 2015 TE Connectivity Ltd. Family of companies. All Rights Reserved. EPP-2287-1/15

Raychem, TE Connectivity and TE connectivity (logo) are trademarks. Other logos, product and/or company names might be trademarks of their respective owners. While TE has made every reasonable effort to ensure the accuracy of the information in this brochure, TE does not guarantee that it is error-free, nor does TE make any other representation, warranty or guarantee that the information is accurate, correct, reliable or current. TE reserves the right to make any adjustments to the information contained herein at any time without notice. TE expressly disclaims all implied warranties regarding the information contained herein, including, but not limited to, any implied warranties of merchantability or fitness for a particular purpose. The dimensions in this catalog are for reference purposes only and are subject to change without notice. Specifications are subject to change without notice. Consult TE for the latest dimensions and design specifications.

### FOR MORE INFORMATION: TE Technical Support Centers

USA:	+1 800 327 6996
France:	+33 390 583 200
UK:	+44 0870 870 7500
Germany:	+49 896 089 903
Spain:	+34 916 630 400
Bonolux:	+32 16 351 731
Canada:	+1 (905) 475-6222
Mexico:	+52 (0) 55-1106-0800
Latin/S. America:	+54 (0) 11-4733-2200
China:	+86 (0) 400-820-6015