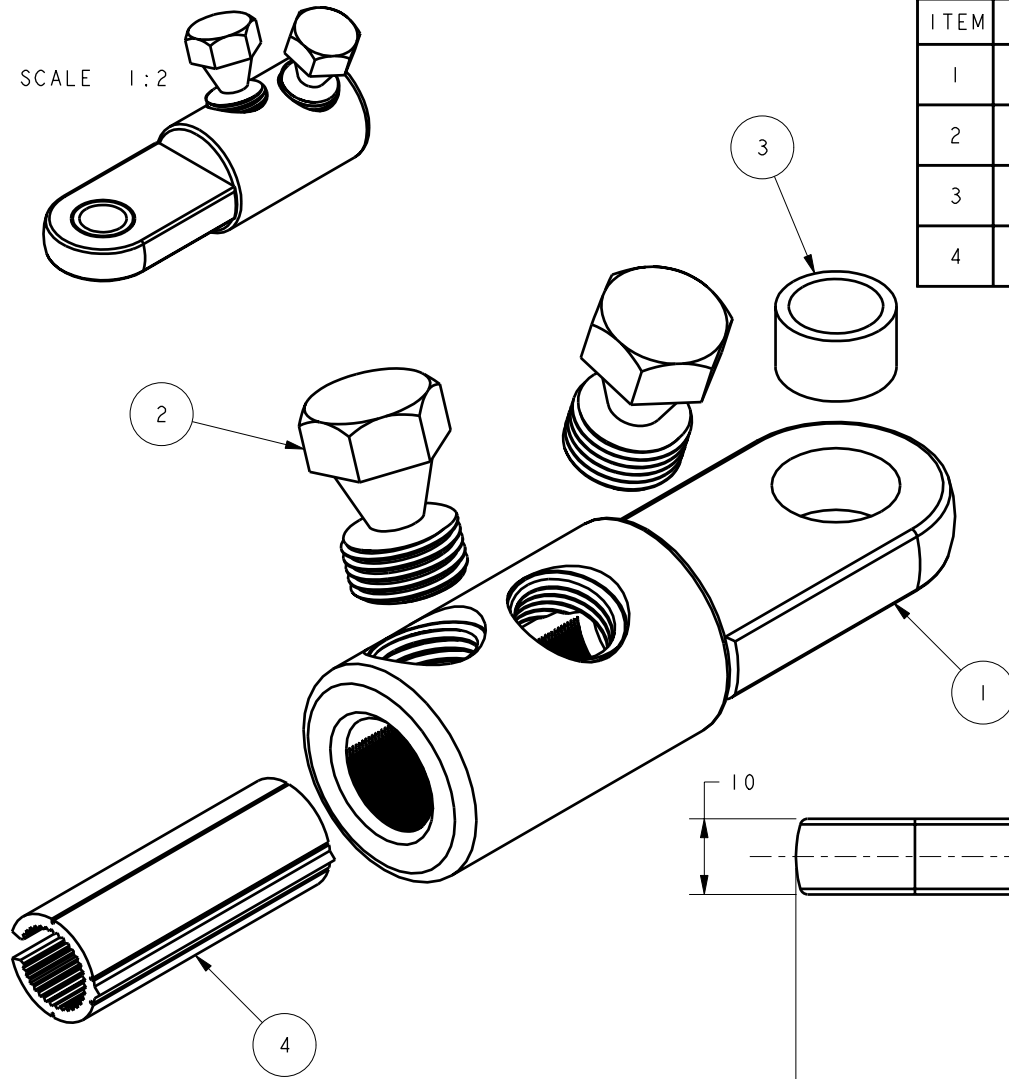
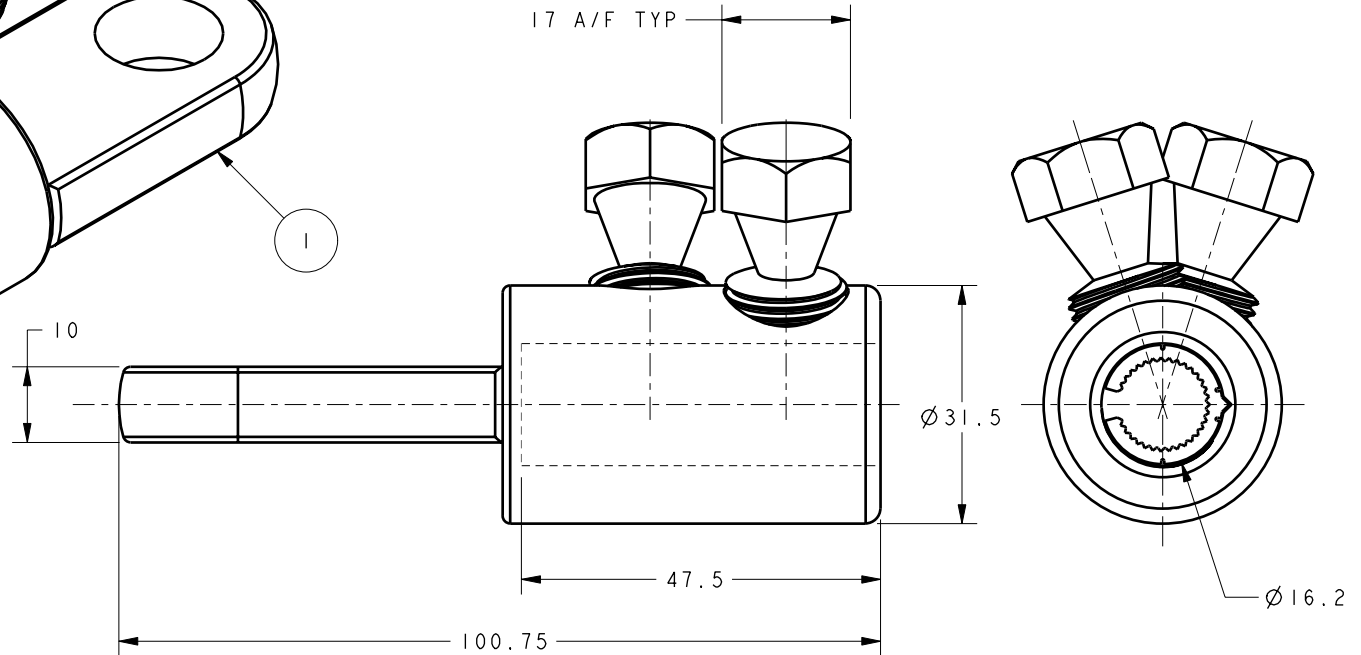


SCALE 1:2



ITEM	PART/DRG NO	QTY	DESCRIPTION
1	01-403-0120	1	MV ALUMINIUM END TERMINATION BODY 31.5 O/D 16.2 I/D - CENTRE PALM WITH Ø17.0 HOLE
2	01-700-0082	2	M16x1.5 17 A/F 27.0 LONG BRASS SINGLE-SHEAR BOLT
3	01-707-0001	1	BRASS REDUCING BUSH 16.0 O/D 12.5 I/D 9.8 LONG
4	01-707-0004	1	ALUMINIUM CRUSHABLE REDUCING INSERT 15.8 O/D 11.5 I/D



E	B&H SHORT DESCRIPTION CORRECTED FROM VETA16/21-16	BH-0004	25/11/04
D	TITLE BLOCK REVISED, B&H SHORT DESCRIPTION ADDED	S.P.W	13.1.03
C	CONNECTOR & INSERT REVISED	S.P.W	12.2.02
B	BRASS REDUCING BUSH REVISED	S.P.W	26.11.01
A	FIRST ISSUE	S.P.W	21.9.01
Revision	Description	Name/ECN	Date
Design/Drawn	S.P.WEST	Date:	21 SEPT 2001
PCN/RPN No	400814-000	Scale (UOS)	1:1
Drawing/Part No.	02-403-0122	Checked/Approved by	
Drawing Type	ASSEMBLY/CUSTOMER	THIRD ANGLE PROJECTION	A 4
Revision	E		

tyco
Electronics
B&H

Tyco Electronics UK Ltd
Freebournes Road, Witham
Essex, CM8 3AH, UK.
Tel: +44 1376 509509
Fax: +44 1376 509511
<http://energy.tycoelectronics.com>

Material -
Finish -
Tolerances (UOS) -
B&H Short Desc. VETA16/32-16

IF IN DOUBT ASK - DO NOT SCALE

Part Description
MV ALUMINIUM END TERMINATION - 31.5 O/D
16.2 I/D CENTRE PALM WITH Ø17.0 HOLE