

Cleats & Cable Fixings

Aluminium Hook Cleat



Description

- > Suitable for use with cables from 25 to 76mm in diameter
- > Available in 8 sizes
- > Without cap, supports cables in position during installation
- > Self adjusting ranges
- > Two-piece, single fixing design
- > Can be double stacked on one fixing
- > Suitable for indoor dry normal industrial use or outdoor unpolluted areas
- > Operating temperature -60°C to +85°C
- > Not designed to secure cables in long vertical routes



Ref: AHC/03/07

Prysmian Cables & Systems Limited, Components Unit, Oak Road, Wrexham Industrial Estate, Wrexham, LL13 9HP, UK
Commercial Enquiries, Tel +44 (0) 845 767 8345, Fax: +44 (0) 23 8029 5465

www.prysmian.co.uk



WOKING

Unit 19, Woking Business Park, Albert Drive,
 Woking GU21 5JY
 Tel: 01483 747747 • Fax: 01483 747001

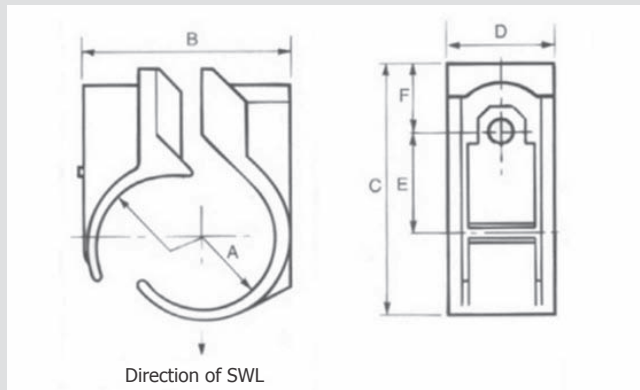
BRISTOL

The Alpha Centre, Armstrong Way,, Great Western
 Business Park, Yate, Bristol BS37 5NG
 Tel: 01454 322555 • Fax: 01454 323555

NORTON CANES

Unit 15-16, Bellsizes Close, Norton Canes,
 Staffordshire WS11 9TQ
 Tel: 01543 450555 • Fax: 01543 450600

Aluminium Hook Cleat



Cable and Cleat Details

Cable & Cleat Selection			Cleat Details							
Design Number	Cable Diameter		Dimensions (mm)						Weight Aluminium G	SWL (FOS 3) Aluminium kg
	A (mm)		B		C	D	E	F		
	Min	Max	Min	Max						
371AA05	25	32	37	45	74	45	29	24	106	55
371AA06	32	38	44	50	81	45	32	24	113	55
371AA07	38	44	50	57	88	45	35	24	142	55
371AA08	44	51	55	63	94	45	38	24	142	55
371AA09	51	57	64	72	103	45	43	24	191	55
371AA10	57	64	72	79	111	45	48	24	213	55
371AA11	64	70	80	91	124	45	53	25	291	65
371AA12	70	76	91	96	132	45	57	27	326	65

METHOD OF FIXING

In all applications the cleat should be mounted on suitable M10 fixings.
When mounting directly on "Unistrut" or "Leprack" type channel, adaptor plate 380AG02 should be used.

SWL = Safe Working Load

FOS 3 = Values include a Factor Of Safety of 3.

Ref: AHC/03/07

Prysmian Cables & Systems Limited, Components Unit, Oak Road, Wrexham Industrial Estate, Wrexham, LL13 9HP, UK

Commercial Enquiries, Tel +44 (0) 845 767 8345, Fax: +44 (0) 23 8029 5465

www.prysmian.co.uk

WOKING

Unit 19, Woking Business Park, Albert Drive,
Woking GU21 5JY
Tel: 01483 747747 • Fax: 01483 747001

BRISTOL

The Alpha Centre, Armstrong Way, Great Western
Business Park, Yate, Bristol BS37 5NG
Tel: 01454 322555 • Fax: 01454 323555

NORTON CANES

Unit 15-16, Bellsizes Close, Norton Canes,
Staffordshire WS11 9TQ
Tel: 01543 450555 • Fax: 01543 450600