

## Cable to rod clamp (Type GUV)

Superior strength clamp for a high quality, low resistance connection



The U bolt clamp is designed to provide a corrosion resistant low resistance connection between a solid circular or stranded conductor and an earth rod or reinforcing bar.

### Features & benefits

#### • Made to standard

- Furse U Bolt Rod Clamps have been suitably tested to:
- Lightning protection product standard IEC/BS EN 62561-1
  - Lightning protection system components (LPSC) Part 1: Requirement for connection components
  - Clamps suitable for electrical installations meet the material requirements of BS 7430

#### • Versatile installation

Available in a range of sizes, helping to secure all variations of solid circular or stranded conductor and earth rod/rebar connections

#### • Superior Strength

Offering a solid, non-permanent connection for smaller scale earthing system installations where periodic connection testing may be required

### Application

Whether for an electrical installation or a structural lightning protection system, an effective earthing system relies on joints and connections to have good electrical conductivity with high mechanical strength. Poorly chosen or badly installed connections can compromise the safe operation of an earthing system. Where permanent connections are not appropriate, Furse mechanical clamps offer the ideal solution. This U Bolt Rod Clamp is manufactured from high copper alloy, offering excellent mechanical strength, corrosion resistance and conductivity.

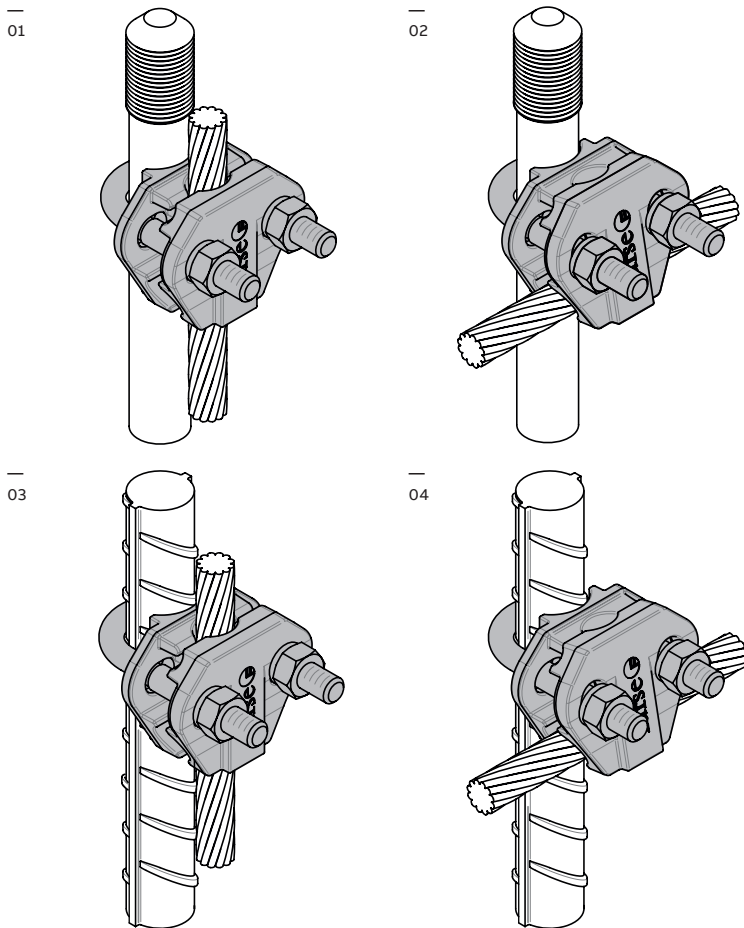
**Product information**

Part no.	ABB order code	'U' bolt material	Nominal rod/rebar diameter (mm)	Conductor range (mm <sup>2</sup> )	Dimensions (mm)				Weight each (kg)	Certification/standards
					A	B	C	D		
CR700	7TCA083220R0015	Stainless steel	Ø 12 - 20	16 - 70*	52	67	38	30	0.20	● ● ●
CR705	7TCA083220R0016	Stainless steel	Ø 12 - 20	70 - 150	52	67	42	30	0.23	● ● ●
CR710	7TCA083220R0051	Copper	Ø 25	16 - 70*	64	70	40	41	0.39	●
CR730	7TCA083220R0019	Stainless steel	Ø 12 - 27	185 - 300	63	89	52	40	0.42	● ●
CR740	7TCA083220R0052	Copper	Ø 25	70 - 150	53	70	55	41	0.39	●
CR750	7TCA083220R0053	Copper	Ø 25	150 - 300	64	90	55	41	0.39	●

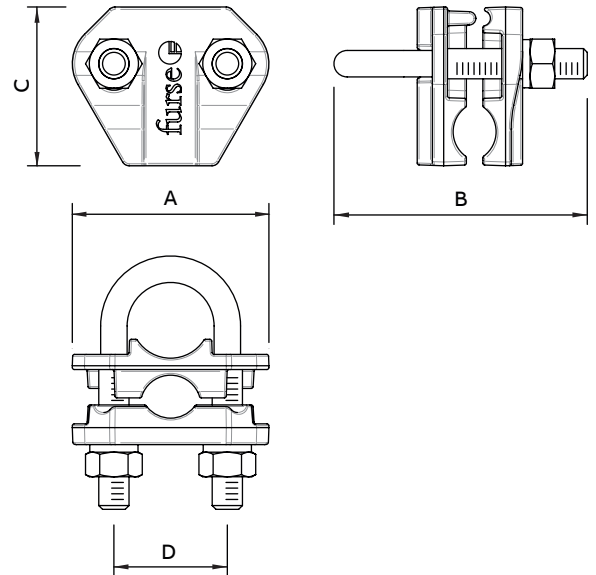
Certification / Standards: ● BS 7430 / ● IEC/BS EN 62561-1 Class H / ● UL 467.  
 NOTE: The shape of some products may vary from those illustrated.

\* Also suitable for diameter 8 mm solid circular copper conductor.

**Typical installation**



**Dimensions**



**Installation tools required:**  
Spanner size 13 mm and 17 mm.

**13** CR700 & CR705

**17** CR710, CR730, CR740 & CR750

- 01 - Vertical cable to earth rod. Termination of cable end or through cable.
- 02 - Horizontal cable to earth rod. Termination of cable end or through cable.
- 03 - Vertical cable to reinforcing bar. Termination of cable end or through cable.
- 04 - Horizontal cable to reinforcing bar. Termination of cable end or through cable.

ABB Limited  
 Furse  
 Wilford Road  
 Nottingham  
 NG2 1EB UK  
 Tel: +44 (0) 115 964 3700

[www.furse.com](http://www.furse.com)

We reserve the right to make technical changes or modify the contents of this document without prior notice. With regard to purchase orders, the agreed particulars shall prevail. ABB AG does not accept any responsibility whatsoever for potential errors or possible lack of information in this document.

We reserve all rights in this document and in the subject matter and illustrations contained therein. Any reproduction, disclosure to third parties or utilisation of its contents – in whole or in parts – is forbidden without prior written consent of ABB AG. Copyright © 2020 ABB. All rights reserved.