



Connectors for waveform CNE conductors

These connectors are intended for jointing the combined neutral and earth conductors of waveform CNE cables. They have a versatile range taking ability and will accommodate various cross sectional areas.

Part No:

CNE-x (aluminium connector for aluminium conductors)

BCNE-x (brass connector for copper conductors)

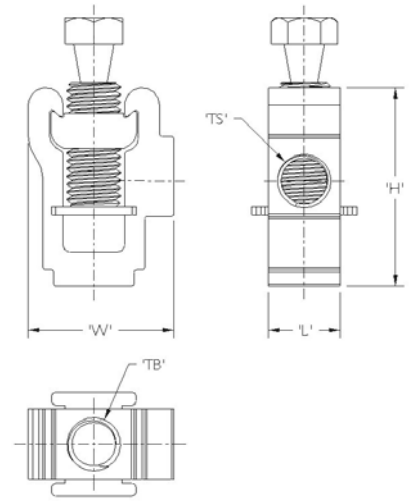
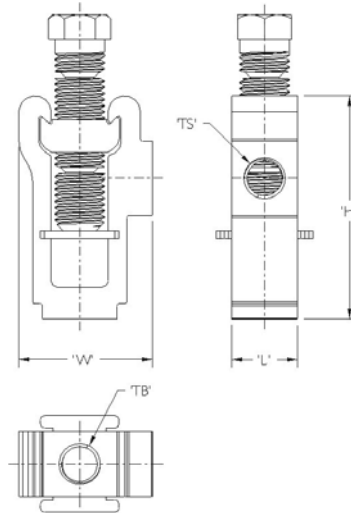
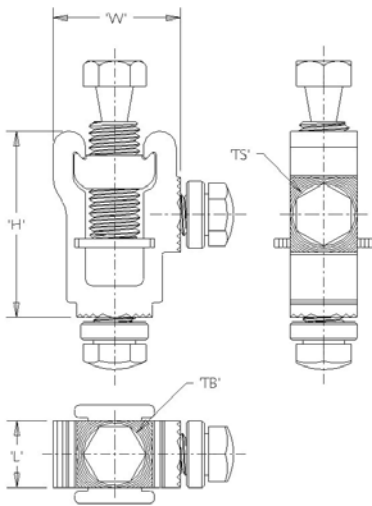
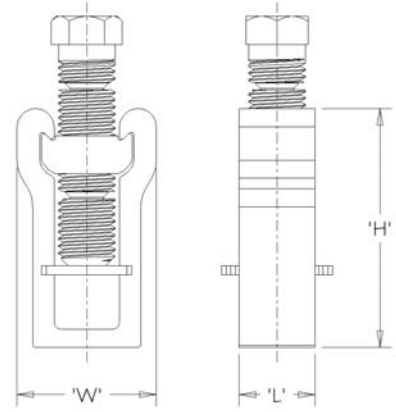
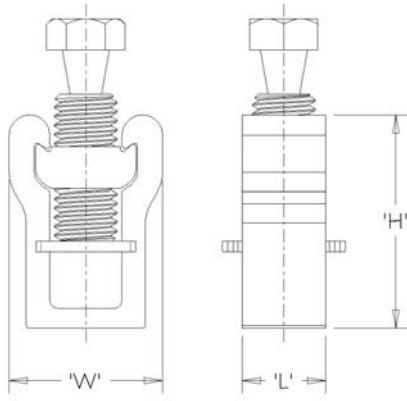
(Add 'S' suffix to the description to signify shear head bolt. e.g. BCNE-1S)

Features

- Shear head or non-shear head bolts
- H shape pressure plate captures all conductor strands
- Easy assembly from one side only
- Uses 13mm bolt head

Standard

- Designed to meet BS4579 and ER C79



Reference	PN	TCPN	Conductor size (mm ²)	Dimensions (mm)			T5	
				L	H	W		
BCNE1S	BAH-025000006	479290-000	0-125	16	41	29	-	-
BCNE3S	BAH-025000011	422342-000	125-240	16	50	29	-	-
BCNE3UTB	BAH-025000058	751714-000	125-240	16	50	29	-	-
BTCNE1S/SM10SER	BAH-025000025	069678-000	0-125	16	45	33	M10	-
BTCNE1S/BM10SER	BAH-025000020	690466-000	0-125	16	45	33	-	M10
BTCNE3UTB/BSM10/A	BAH-025000068	E84084-000	125-240	16	54	32	M10	M10
BTCNE1S/BSM12/A	BAH-025000069	A84233-000	0-125	16	45	32	M12	M12

While TE Connectivity (TE) has made every reasonable effort to ensure the accuracy of the information in this catalog, TE does not guarantee that it is error-free, nor does TE make any other representation, warranty or guarantee that the information is accurate, correct, reliable or current. TE reserves the right to make any adjustments to the information contained herein at any time without notice. TE expressly disclaims all implied warranties regarding the information contained herein, including, but not limited to, any implied warranties of merchantability or fitness for a particular purpose. The dimensions in this catalog are for reference purposes only and are subject to change without notice. Specifications are subject to change without notice. Consult TE for the latest dimensions and design specifications. TE Connectivity and TE connectivity (logo) are trademarks.

© 2012 Tyco Electronics UK Ltd

TE Energy - innovative and economical solutions for the electrical power industry: cable accessories, connectors & fittings, insulators & insulation, surge arresters, switching equipment, street lighting, power measurement and control.

Tyco Electronics UK Ltd
 a TE Connectivity company
 Freebournes Road
 Witham, Essex CM8 3AH

Phone: +44 (0)870 870 7500
 Fax: +44 (0)870 240 5289
 Email: ukutilities@tycoelectronics.com

energy.te.com

DATA SHEET
 Number: EPP-1736
 Date: 01/12/2012
 Revision: B

