

This drawing and the information contained herein is the property of ABB Ltd. and shall not be copied, traced, photographed or reproduced in any manner nor used for any purpose whatsoever, except by written permission of ABB Ltd. This drawing shall be returned to ABB Ltd. upon request. Copyright 2015, ABB Ltd. All rights reserved.

APPLICATION:

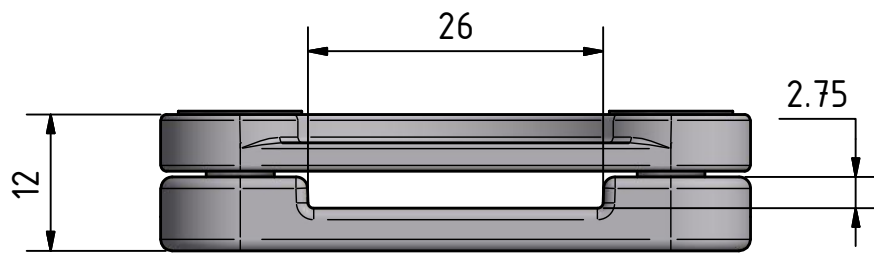
Manufactured from high quality aluminium alloy for excellent corrosion resistance. Simple to install, providing a secure connection between two 25 mm x 3 mm bare aluminium tapes. Suitable for forming straight through, cross, tee or right angle joints.

Typically fixed to masonry via 1.5" x No. 10 woodscrew and wall plug.

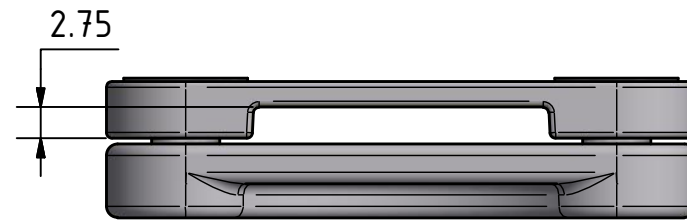
TOOLS REQUIRED:

Screwdriver - Posidrive.
Tightening torque - 5 Nm.

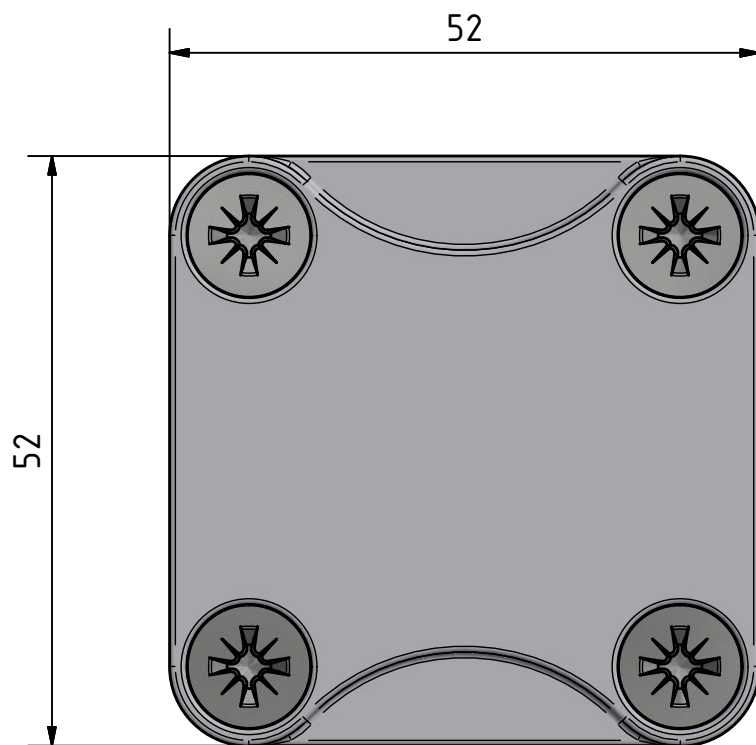
PARTS LIST			
ITEM	QTY	DESCRIPTION	MATERIAL
1	1	Square tape clamp to suit 25 x 3 mm Aluminium tape - Base	Aluminum Alloy - LM25 - BS1490
2	1	Square tape clamp to suit 25 x 3 mm Aluminium tape Lid - un-branded	Aluminum Alloy - LM25 - BS1490
3	4	Cross Recessed Flat Countersunk Head Machine Screw - Stainless steel - M6 x 12	Stainless Steel



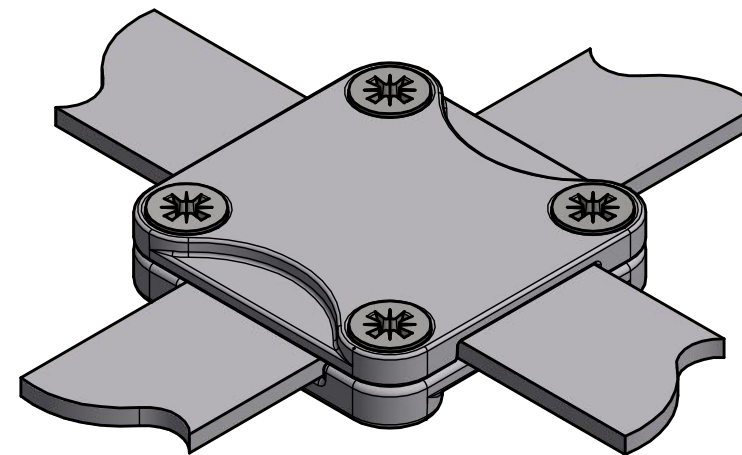
VIEW 1
SCALE 1.5 : 1



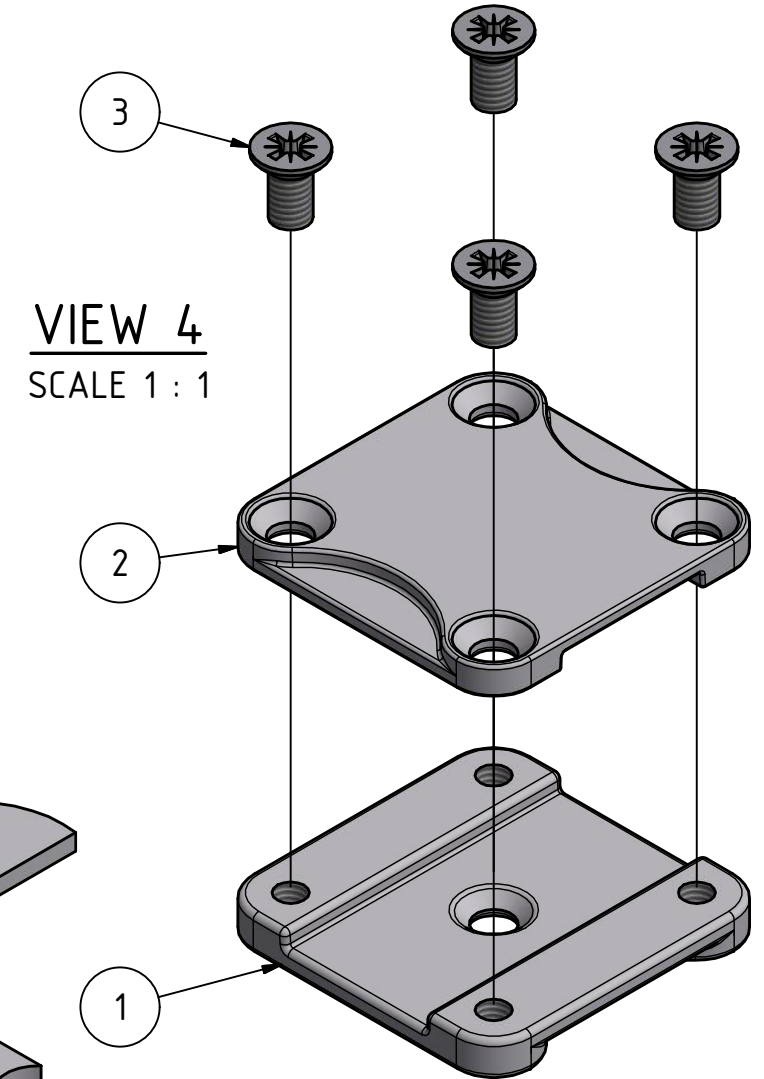
VIEW 3
SCALE 1.5 : 1



VIEW 2
SCALE 1.5 : 1



VIEW 5
SCALE 1 : 1



VIEW 4
SCALE 1 : 1

furse Earthing & Lightning Protection

ABB Ltd.
Wilford Road, Nottingham,
NG2 1EB United Kingdom



TITLE:
**Square tape clamp to suit
25 mm x 3 mm aluminium
tape**

DRAWING NUMBER: **CT007 CD 01 0** REV: 0

Tolerances unless otherwise stated:
X.XX = ±0.1 Ang. = ±1'
X.X = ±0.2
X = ±0.5

FIRST ANGLE PROJECTION

- DO NOT SCALE
- All dimensions in millimetres
- All dimensions shown are before stated finish.
- Remove all burrs and sharp edges.

ISSUED FOR: **INFORMATION**

PRODUCT LINE: FURSE E & LP

MATERIAL: SEE PARTS LIST

FINISH: SELF COLOUR

Original	Date	Name
Drawn	02/08/2013	A. MERRILL
Check'd	07/08/2013	G. BAKER
Appr'd	07/08/2013	S. SNAPE