

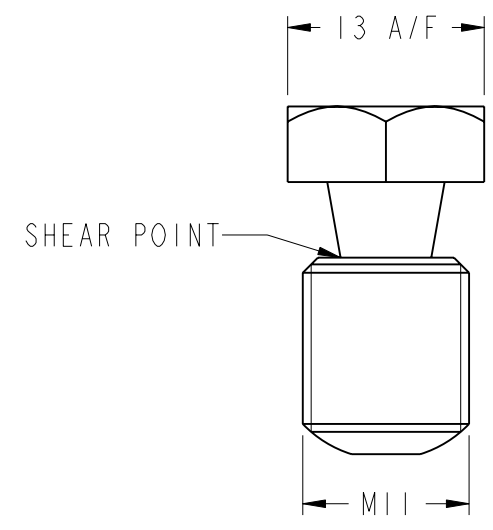
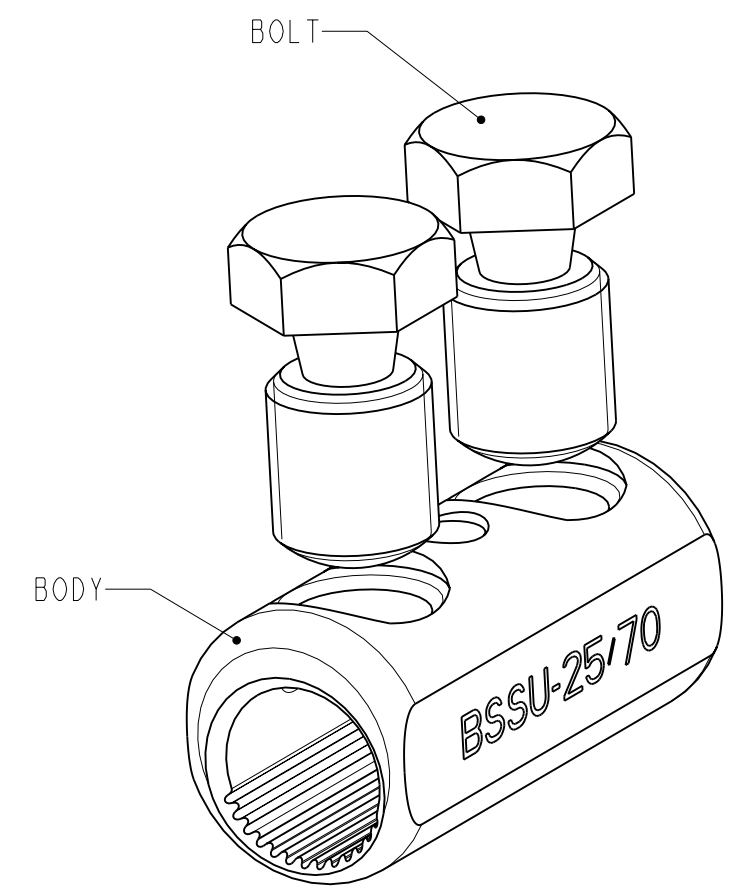
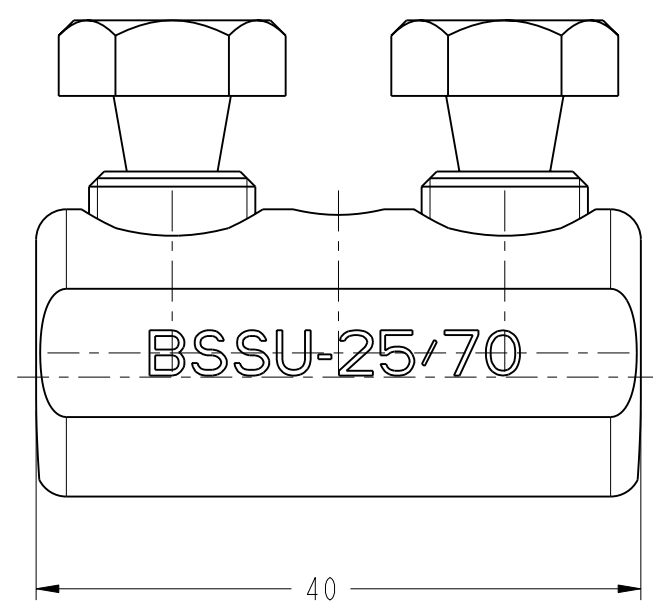
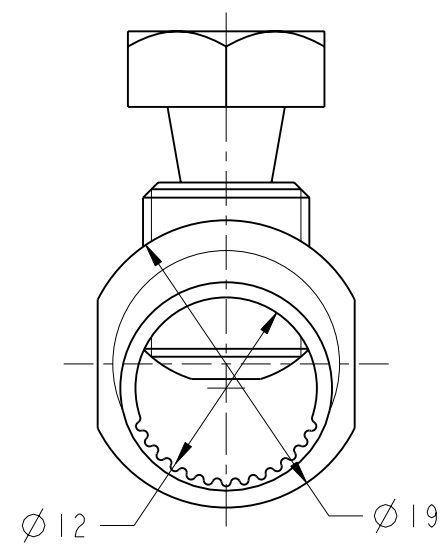
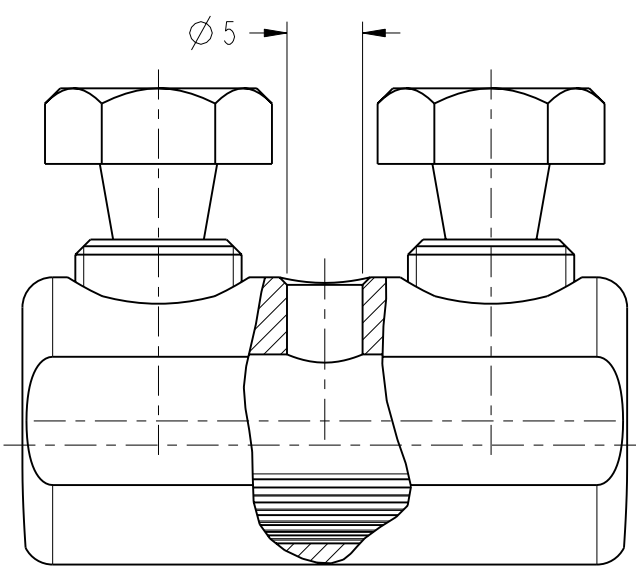
THIS DRAWING IS UNPUBLISHED. / RELEASED FOR PUBLICATION / DIFFUSION RESTREINTE / LIBRE A LA DIFFUSION

20

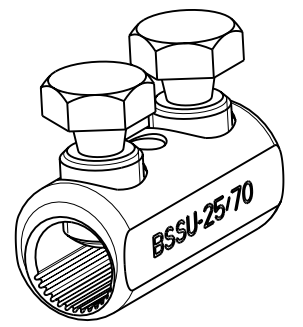
© COPYRIGHT 20 BY TYCO ELECTRONICS CORPORATION. ALL RIGHTS RESERVED. / TOUS DROITS RESERVES

LOC	DIST	REVISIONS					
FH	2	P	LTR REV	DESCRIPTION MODIFICATIONS	DATE	DWN DESS.	APVD APP.
			A	CREATION	07OCT2008	BM	NA
			B	ADD CONDUCTOR DIAMETER	16JAN2009	BM	NA

BSSU-25/70	2019895-1	CN4174-000
DESCRIPTION	PART NUMBER	RPN



	ALUMINIUM WIRES	COPPER WIRES
CONDUCTOR CROSS-SECTION mm <sup>2</sup>	25-70	25-70
CONDUCTOR DIAMETER mm	Ø5.6 - Ø11.8	Ø5.6 - Ø11.8



SCALE 1:1

TOLERANCES UNLESS OTHERWISE SPECIFIED: - / TOLERANCES NON SPECIFIEES: -

THIS DRAWING IS A CONTROLLED DOCUMENT FOR TYCO ELECTRONICS CORPORATION IT IS SUBJECT TO CHANGE AND THE CONTROLLING ENGINEERING ORGANIZATION SHOULD BE CONTACTED FOR THE LATEST REVISION. CE PLAN EST UN DOCUMENT CONTROLE PAR TYCO ELECTRONICS CORPORATION IL EST SUSCEPTIBLE D'ETRE REVISE. POUR OBTENIR LA DERNIERE REVISION, CONTACTER LE SERVICE TECHNIQUE DE TYCO ELECTRONICS SIMEL SAS, 21220 GEVREY-CHAMBERTIN, FRANCE.		DWN/DESSINE 07OCT2008 B. MILLOT				SIMEL PRODUCTS	
DIMENSIONS: mm 		TOLERANCES UNLESS OTHERWISE SPECIFIED: (SUIV NB DE DECIMALES): 0 PLC/DEC: ±0 1 PLC/DEC: ±0 2 PLC/DEC: ±0 3 PLC/DEC: ±0 4 PLC/DEC: ±0 ANGLES ±		CHK/VERIFIE M. DOLLING APVD/APPROUVE N. ALMEIDA		NAME TITRE BSSU-25/70 BOLTED SLEEVE SHIELD UNBLOCKED	
MATERIAL MATIERE AL ALLOY		FINISH FINITION TINNED		PRODUCT SPEC SPEC. PRODUIT - APPLICATION SPEC SPEC. APPLICATION -		SIZE FORMAT A3 CAGE CODE - DRAWING NO No PLAN C-2019895	
		WEIGHT MASSE APPROX. 25.1 g		RESTRICTED TO RESERVE A -		CUSTOMER DRAWING /PLAN CLIENT UNIQUEMENT POUR REFERENCE SCALE ECHELLE 1:1 SHEET FEUILLE 1 OF DE 1 REV B	