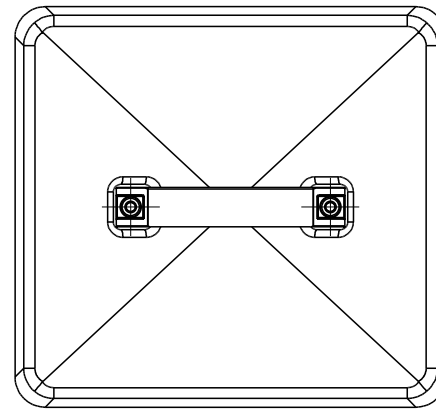
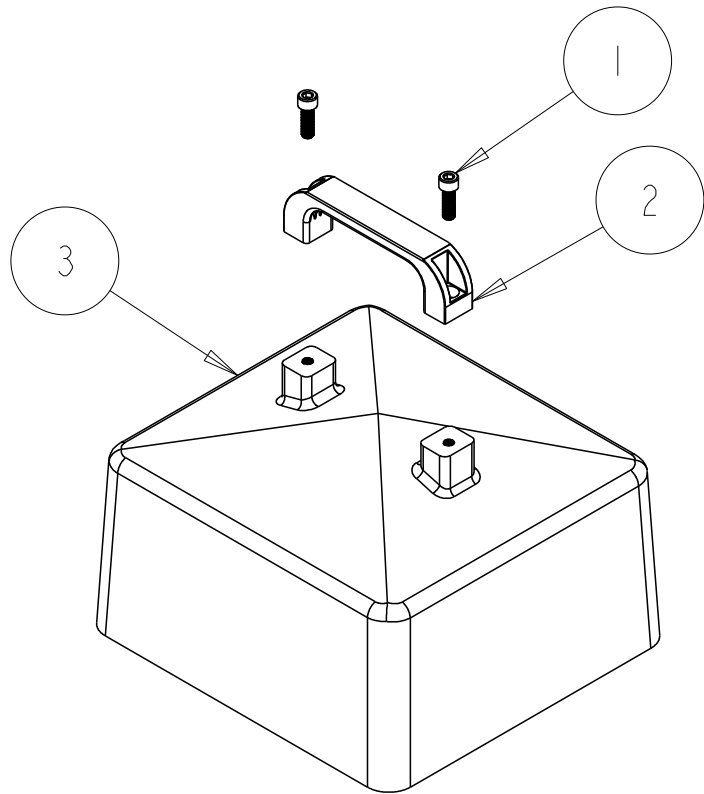
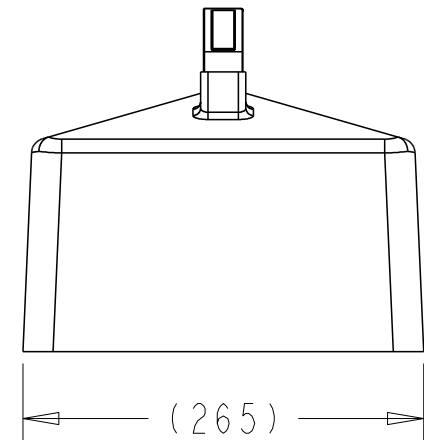
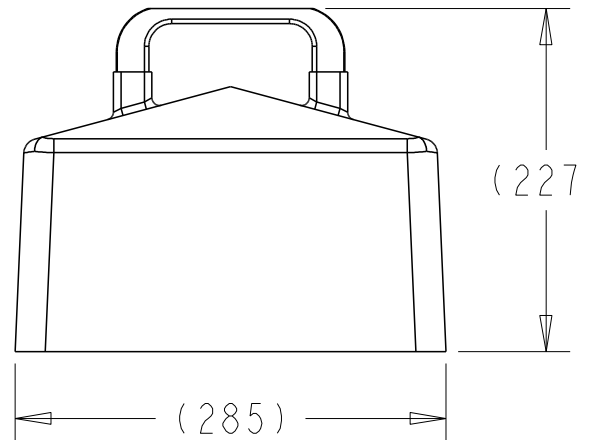
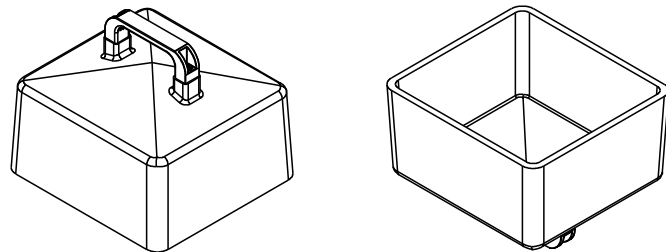


ITEM	PART/DRG NO	QTY	DESCRIPTION
1	01-703-0050	2	M8 x 25 LONG SOCKET HEAD CAP SCREW - STEEL
2	01-712-0013	1	BRIDGE HANDLE PLAIN BORE - M8 x 132 CRS
3	01-811-0002	1	DIVING BELL LID 2-WAY (MK2 LINK BOX)



NOTE:

1. TO BE FULLY ASSEMBLED WITH HANDLE SECURELY FASTENED TO DIVING BELL.



SCALE 0.100



Material	<b>VARIES</b>
Finish	<b>VARIES</b>
Tolerances (UOS)	<b>N/A</b>
B&H Short Desc.	<b>LB2-DBL2W-A</b>

- IF IN DOUBT ASK - DO NOT SCALE -  
 Part Description  
**2-WAY CAST IRON MK2 LINKBOX  
 DIVING BELL ASSEMBLY**

Revision	A		First Issue	BH-01257	12/02/18
Design/Drawn	D M EATON	Date	09-Feb-18	Name/DMR	Date
TCPN	EN2938-000	Scale (UOS)	0.200	Part Weight	15 kg
Drawing/Part No	BAH-028110273	Drawing Type	CUSTOMER	THIRD ANGLE PROJECTION	Rev A

REMOVE ALL BURRS AND SHARP EDGES - SURFACES TO BE FREE FROM SCRATCHES AND DEFECTS - ALL THREADS TO BS3643 PT 2

© 2018 TYCO ELECTRONICS UK LTD, WITHAM, UK