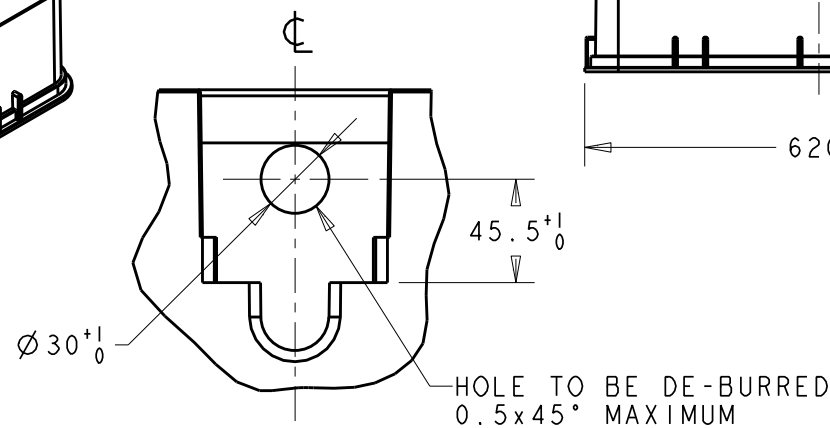
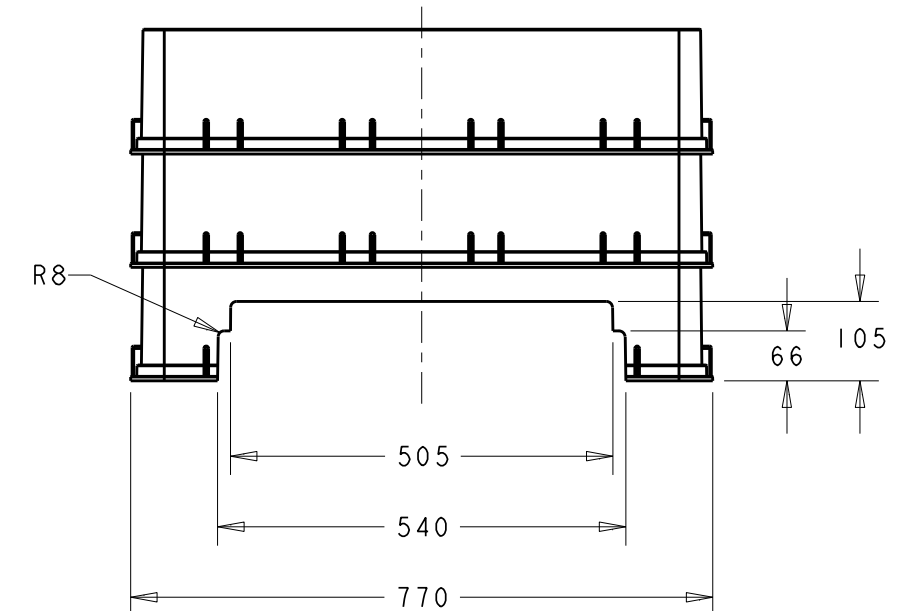
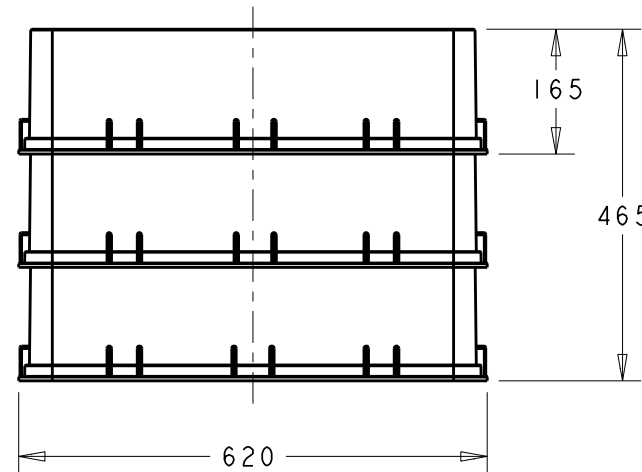
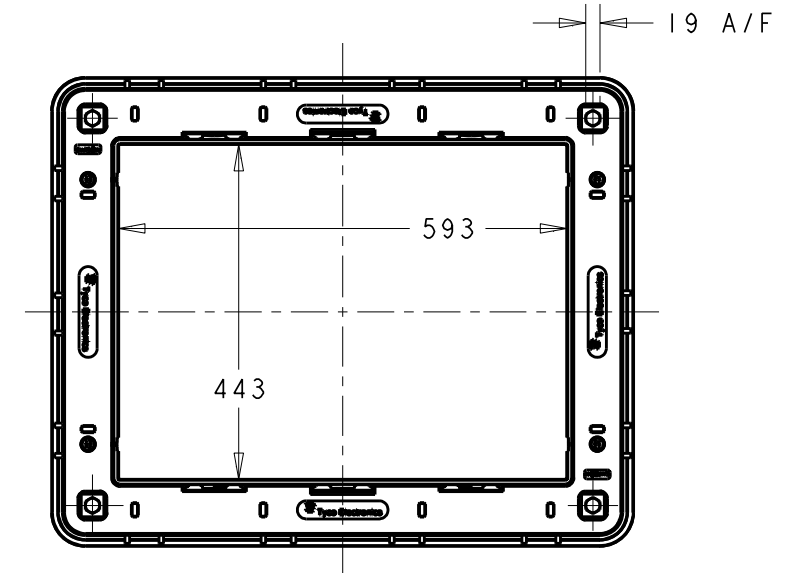
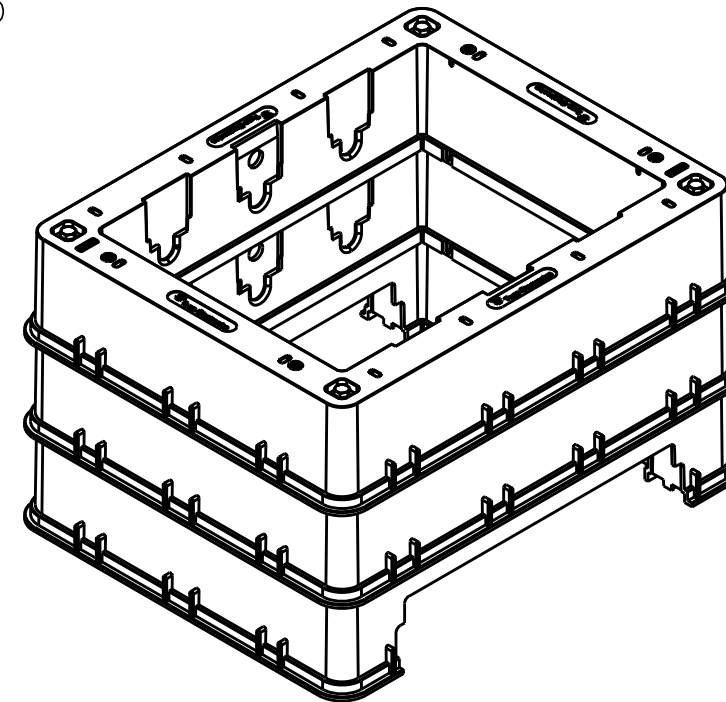
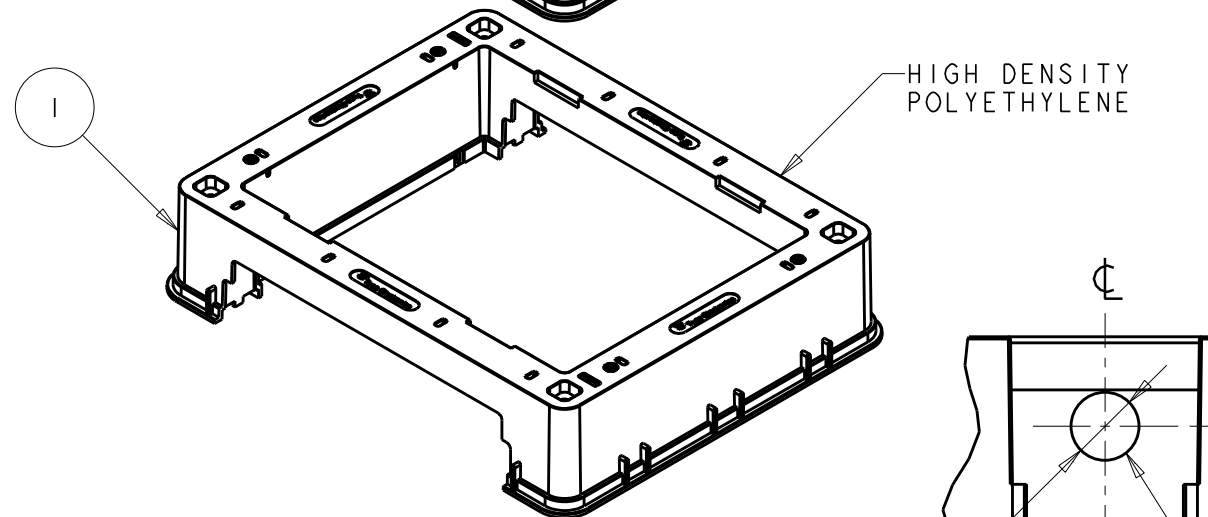
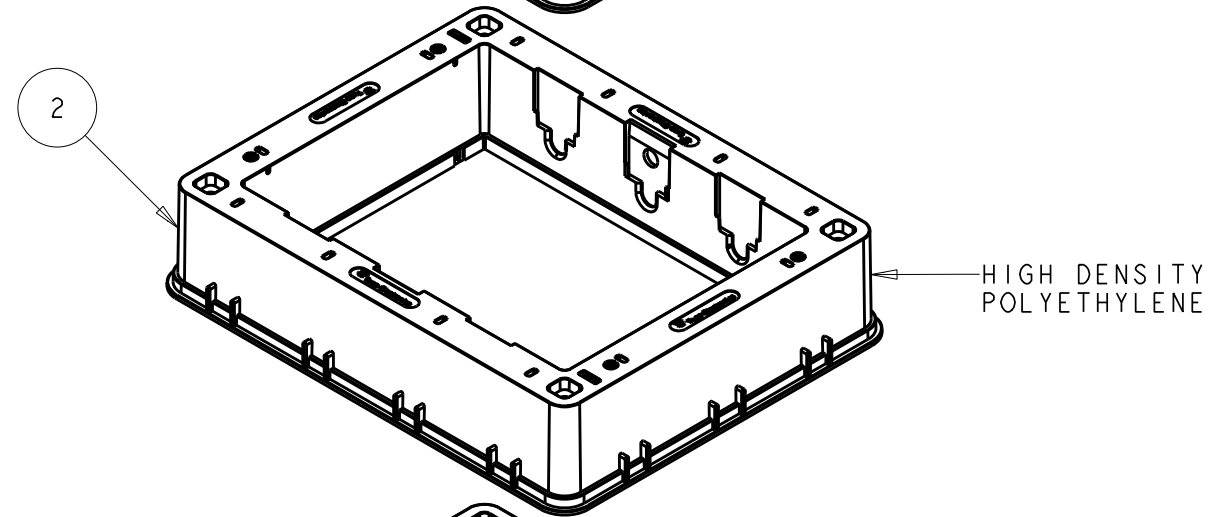
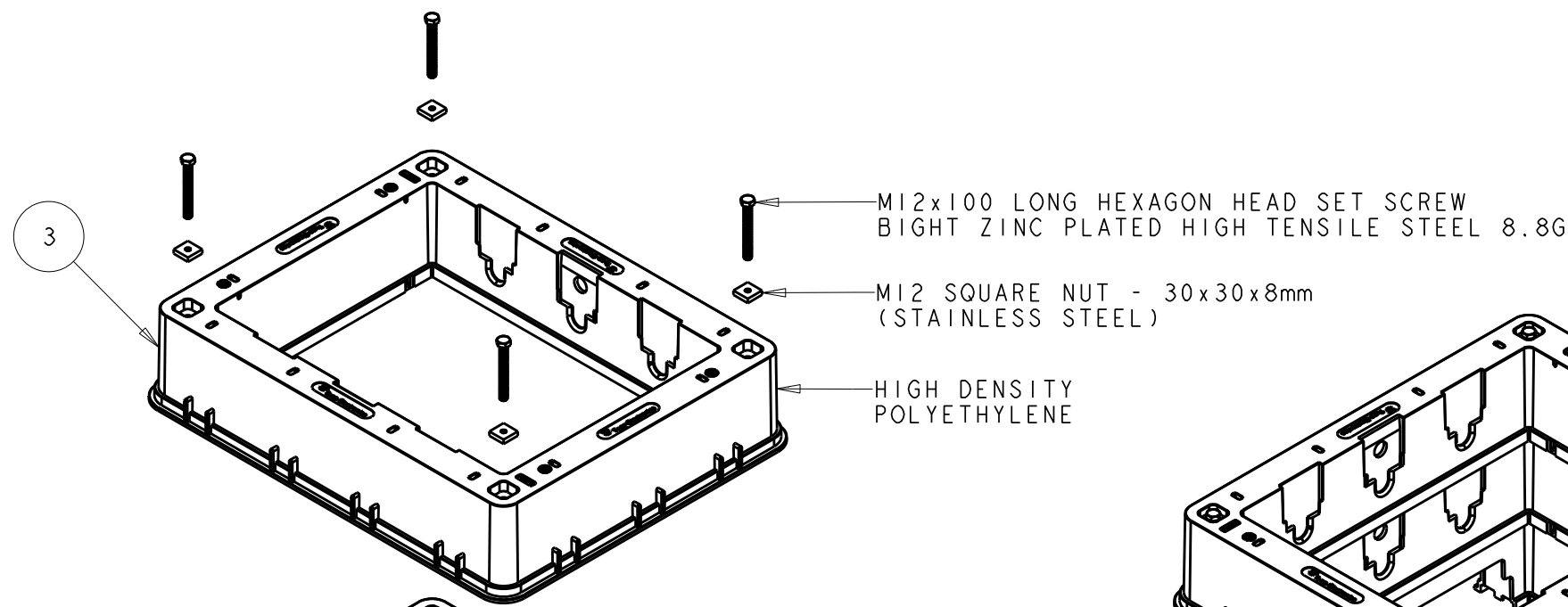


ITEM	PART/DRG NO	QTY	DESCRIPTION
1	UR6045B	1	HDPE UTILITY RING-BASE 602x452x150mm WITH PRECUT ENTRY
2	UR6045M	1	HDPE UTILITY RING-MIDDLE 602x452x150mm
3	UR6045T	1	HDPE UTILITY RING-TOP 602x452x150mm WITH 4x ADJUSTABLE BOLTS



NOTES :
1. MOULDING COLOUR : BLACK

LOCKING BAR HOLE DETAIL

Revision	Description	Name/DMR	Date
E	PICTORIAL CHANGE ONLY TO ADD 2mm x 23.5mm LEAD-IN CHAMFERS (x2) TO CENTRAL FEATURE OF TOP & MIDDLE RINGS	BH-00800	19/04/12
D	HOLE WAS $\phi 26$ & HOLE POSITION 45.5 TOLERANCE ADDED	BH-00774	31/01/12
C	PICTORIAL CHANGES ONLY - MODIFICATIONS TO MAKE COMPATIBLE WITH MK3 LINKBOX	BH-00725	05/08/11
B	MOULDING COLOUR WAS BLUE (PANTONE 3015)	BH-00570	06/05/09
A	FIRST ISSUE	BH-00292	25/07/07

BREAK SHARP EDGES & DEBURR, SURFACES TO BE FREE FROM SCRATCHES & DEFECTS. MACHINED SURFACES TO BE 3.2 μ m Ra OR BETTER (UOS). ALL OIL & GREASE etc TO BE REMOVED. ALL THREADS TO BS3643 PART 2.

MACHINED SURFACES UNLESS OTHERWISE SPECIFIED TO BE:

	0.10mm		0.05mm/cm
	0.015mm/cm		0.015mm/cm



Material	VARIES
Finish	VARIES
Tolerances (UOS)	N/A
B&H Short Desc.	LB2-4WLBS

- IF IN DOUBT ASK - DO NOT SCALE -
Part Description
**4-WAY LINK BOX ENCLOSURE SET
- MK2 & MK3 LINKBOX (UR6045TMB)**

Design/Drawn	D M EATON	Date	25-Jul-07	Scale (UOS)	1:10
PCN/RPN No	CLO199-000	Checked/Approved by		 THIRD ANGLE PROJECTION	A3
Drawing/Part No	BAH-018070434	Drawing Type	MOULDING/PRODUCTION		

THIS DRAWING IS COPYRIGHT AND IS ISSUED ON THE STRICT UNDERSTANDING THAT IT IS NOT REPRODUCED, COPIED OR DISCLOSED TO A THIRD PARTY WITHOUT THE CONSENT IN WRITING OF TYCO ELECTRONICS UK LTD