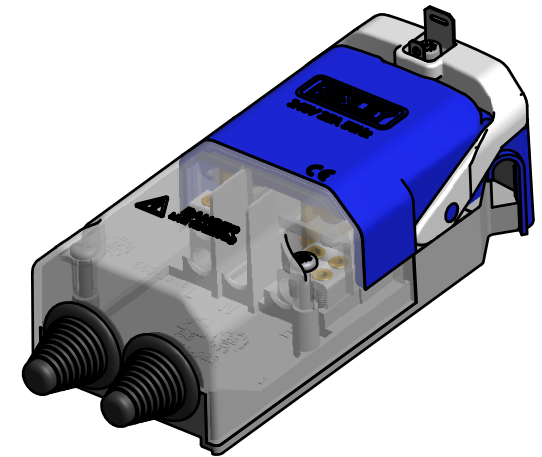


PARTS LIST		
ITEM	DESCRIPTION	QTY
2	Fuse Carrier Moulding	1
3	Fuse Carrier Handle	1
4	Phase Terminal Assembly	1
7	CNE Terminal Assembly	1
8	Double Pole Link	1
9	Contact Spring	3
10	Small Contact Spring	1
11	Fuse Blade	4
12	Cable Bush	2
13	Security Tag (Bent)	1
14	Screw T15 Torx PTx19	4
15	Screw T2 Posi PTx24	2
16	T2 Posi M4x12 Screw	1
17	Screw Pan Head M4x8	4
18	Screw T2 Posi Chipboardx14	3
19	Clear Cable Cover Moulding	1
20	CNE DP Label	1
28	Base Moulding	1
29	Outgoing Terminal Assembly	2



TITLE			GENERAL NOTES		
Street Light Cut-out 25A DP CNE Clear Cover			UNLESS OTHERWISE STATED: 1. ALL DIMENSIONS IN MILLIMETRES (mm) 2. ASSUMES SYMMETRY ABOUT CENTRELINES 3. ALL SHARP EDGES TO BE R 0.5 OR 0.5 x 45° 4. MACHINED TOLERANCE TO BE ± 0.05 5. MOULDING TOLERANCE TO BE ± 0.1 6. ALL DIMENSIONS REFER TO FINISH COMPONENT. ALLOWANCE MUST BE MADE FOR PLATING & COATING. 7. THIRD ANGLE PROJECTION		
PRODUCT CODE	54715-53	SIZE	A3	SCALE	NTS
DWG NO	75070	REV	1		
DRAWN	GW	08/01/2014			
CHECKED	OW	08/01/2014			
THE INFORMATION ON THIS DRAWING IS CONFIDENTIAL AND SHOULD NOT BE COPIED OR TRANSFERRED TO ANY THIRD PARTY WITHOUT PRIOR WRITTEN PERMISSION OF THE COPYRIGHT HOLDER © 2013					
WT HENLEY LTD www.wt-henley.com		SILVER KEY, CHURCH MANORWAY, BELVEDERE, KENT, DA8 1EX TEL: +44 (0) 1322 444500 FAX: +44 (0) 1322 444502			SHEET 1 of 1