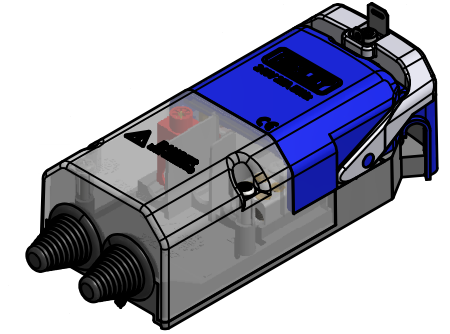


PARTS LIST		
ITEM	DESCRIPTION	QTY
1	Base Moulding	1
2	Clear Cable Cover	1
3	Fuse Carrier	1
4	Fuse Carrier Handle	1
5	Incoming Shrouded M6 IPC Phase Terminal	1
6	CNE Terminal	1
7	Outgoing Phase Terminal	1
8	Contact Spring	1
9	Small Contact Spring	1
10	Fuse Blade	2
11	Cable Bush	2
12	Security Tag	1
13	T15x19 Torx Screw	3
14	T2x24 Posi Screw	2
15	M4x12 Posi Screw	1
16	M4x8 Pan Head Screw	2
17	T2x14 Posi Chipboard Screw	3



NOTES:

- 1) FOR USE WITH BS88 LST STREET LIGHTING FUSE
- 2) SUITABLE FOR SINGLE PHASE 25mm² SAC/Str CU. SPLIT CONCENTRIC CABLE

TITLE			GENERAL NOTES		
STREET LIGHT CUT-OUT 25A SP CNE M6 IPC SHROUDED			UNLESS OTHERWISE STATED: 1. ALL DIMENSIONS IN MILLIMETRES (mm) 2. ASSUMES SYMMETRY ABOUT CENTRELINES 3. ALL SHARP EDGES TO BE R 0.5 OR 0.5 x 45° 4. MACHINED TOLERANCE TO BE ± 0.05 5. MOULDING TOLERANCE TO BE ± 0.1 6. ALL DIMENSIONS REFER TO FINISH COMPONENT. ALLOWANCE MUST BE MADE FOR PLATING & COATING. 7. THIRD ANGLE PROJECTION		
PRODUCT CODE	54715-49	SIZE	A3	SCALE	2 : 3
DWG NO	74933	REV	1	[Symbol]	
DRAWN	GW	24/04/2012			
CHECKED	OW	15/08/2012			
WT HENLEY LTD			SILVER KEY, CHURCH MANORWAY, BELVEDERE, KENT, DA8 1EX		SHEET
www.wt-henley.com			TEL: +44 (0) 1322 444500 FAX: +44 (0)1322 444502		1 of 1