

Cable box length: Gland requirements - 3-core cables

Check the cable box dimensions from the bushing stud to the bottom plate of the cable box. If dimension a is less than the figures given in Table 4, then a gland that allows the termination breakout body to fit inside it is required.

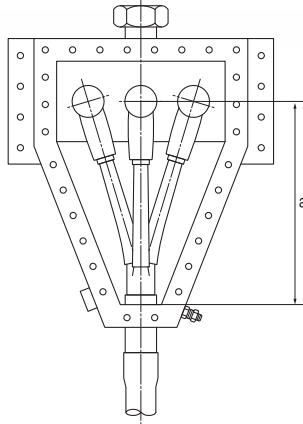


Table 4 – Minimum distance 'a' between bushing stud and bottom plate of cable box for terminations from 11-33kV

Highest voltage for cable, phase-phase (kV)	11	11	22	33
Maximum size of conductor (mm ²)	95	300	300	300
Minimum height a with straight connections (mm)	550	600	700	750
Minimum height a with crossed connections (mm)	600	700	-	-

By using a Raychem cable box gland, the figures given in Table 4 can be reduced by 150mm. The gland is made to match stud spacings to BS 2562. Glands are available with an insulating plate where an earth fault indicator C.T. is required, and in aluminium (size **x** only) for single core applications.

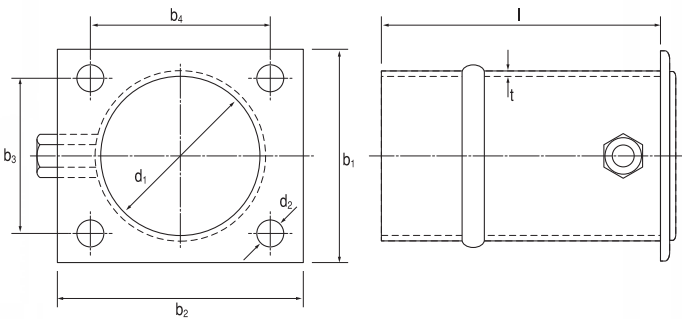


Table 5 – Raychem cable box gland dimensions

	b1	b2	b3	b4	d1	d2	l	t
Size X	90	90	66	66	68	11	140	1
Size Y	115	125	86	95	97	15	150	1.5